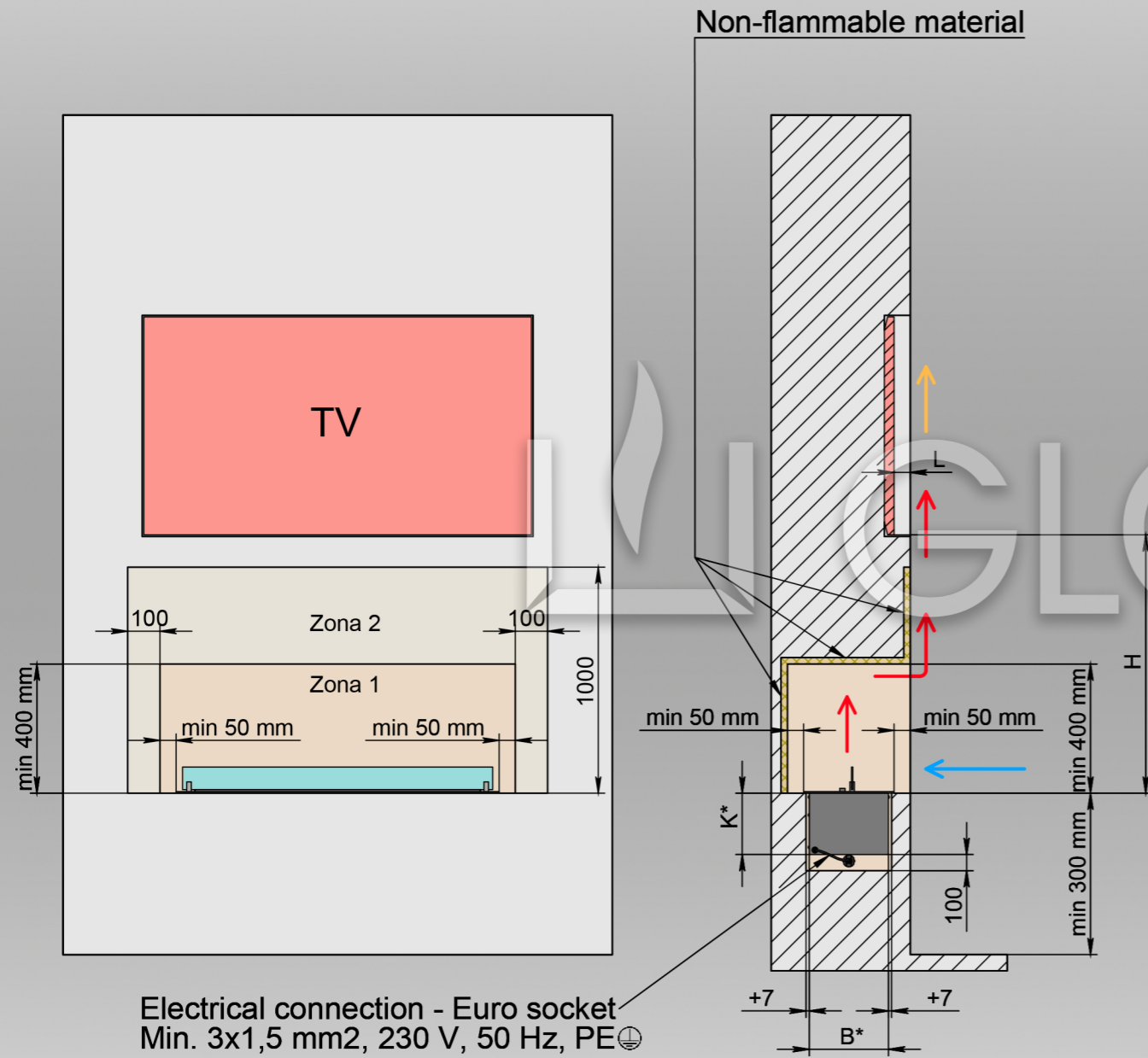
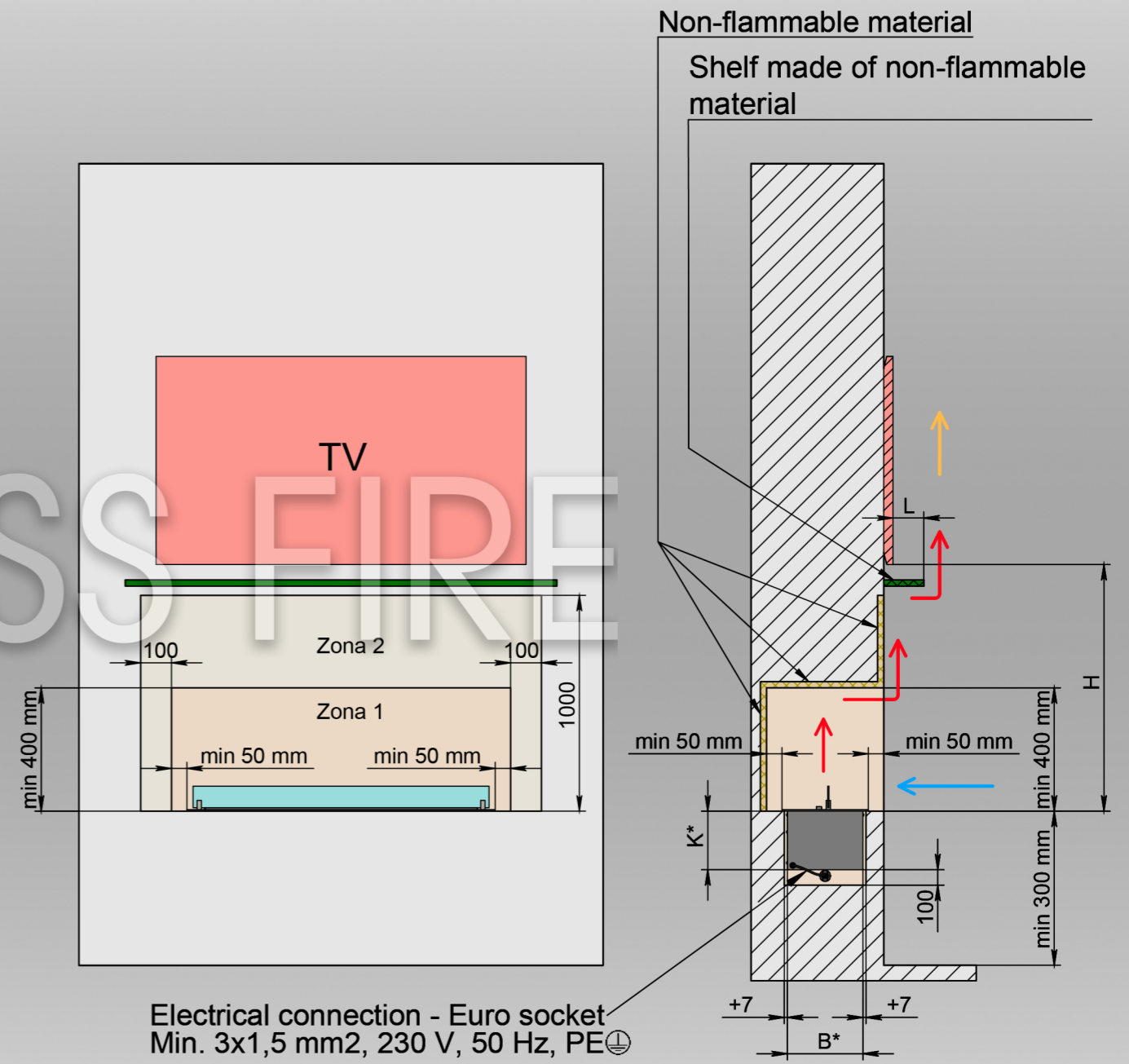


# INSTALLING AN AUTOMATIC BIO-FIREPLACE IN A NICHE UNDER THE TV

## VARIANT №1



## VARIANT №2



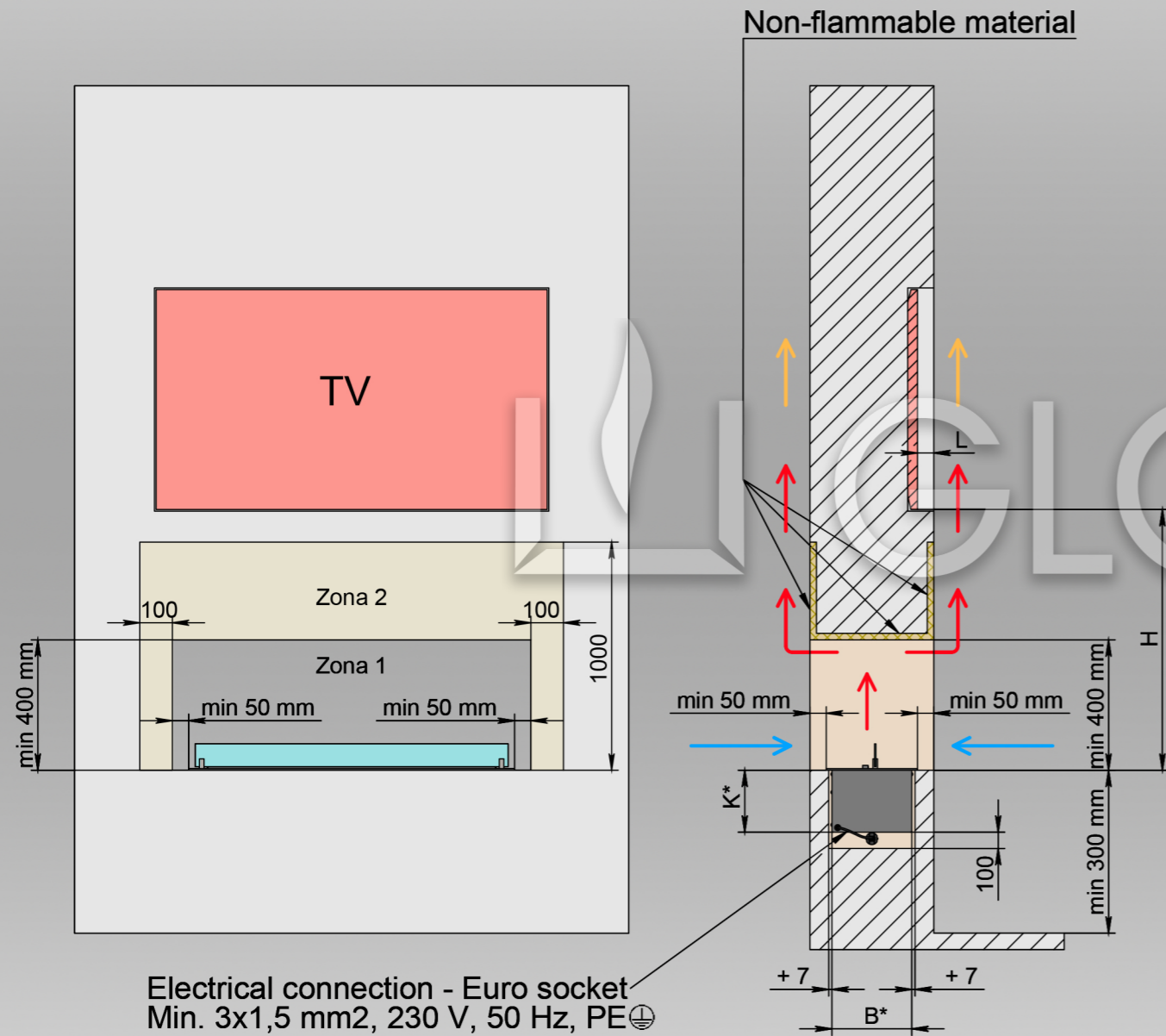
- - cold air
- - warm air
- - hot air

	L		
	50 mm	51-100 mm	≥ 101 mm
H	min 1100 mm	min 1000 mm	min 900 mm

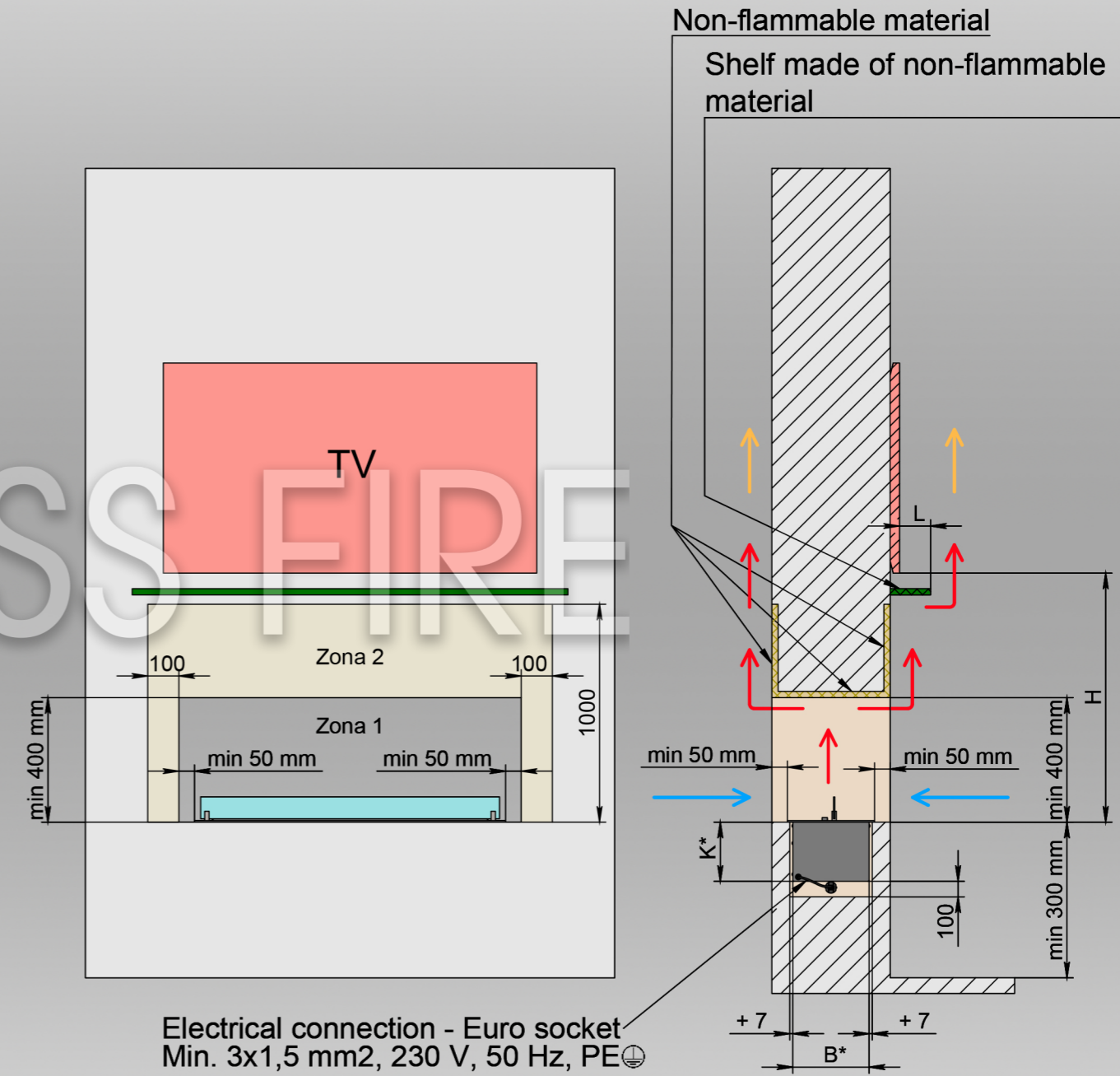
K\*, B\* - depends on the type of bio-fireplace. Installing glass on a biofireplace is mandatory. Zone 1 must be made of fireproof materials. Zone 2 must withstand temperatures up to 80 °C. Provide a Euro-type plug socket next to the bio-fireplace.

# INSTALLING AN AUTOMATIC BIO-FIREPLACE UNDER THE TV NICHE - THROUGH

## VARIANT №1



## VARIANT №2



- - cold air
- - warm air
- - hot air

	L		
	50 mm	51-100 mm	≥101 mm
H	min 1100 mm	min 1000 mm	min 900 mm

K\*, B\* - depends on the type of bio-fireplace. Installing glass on a biofireplace is mandatory. Zone 1 must be made of fireproof materials. Zone 2 must withstand temperatures up to 80°C. Provide a Euro-type plug socket next to the bio-fireplace.