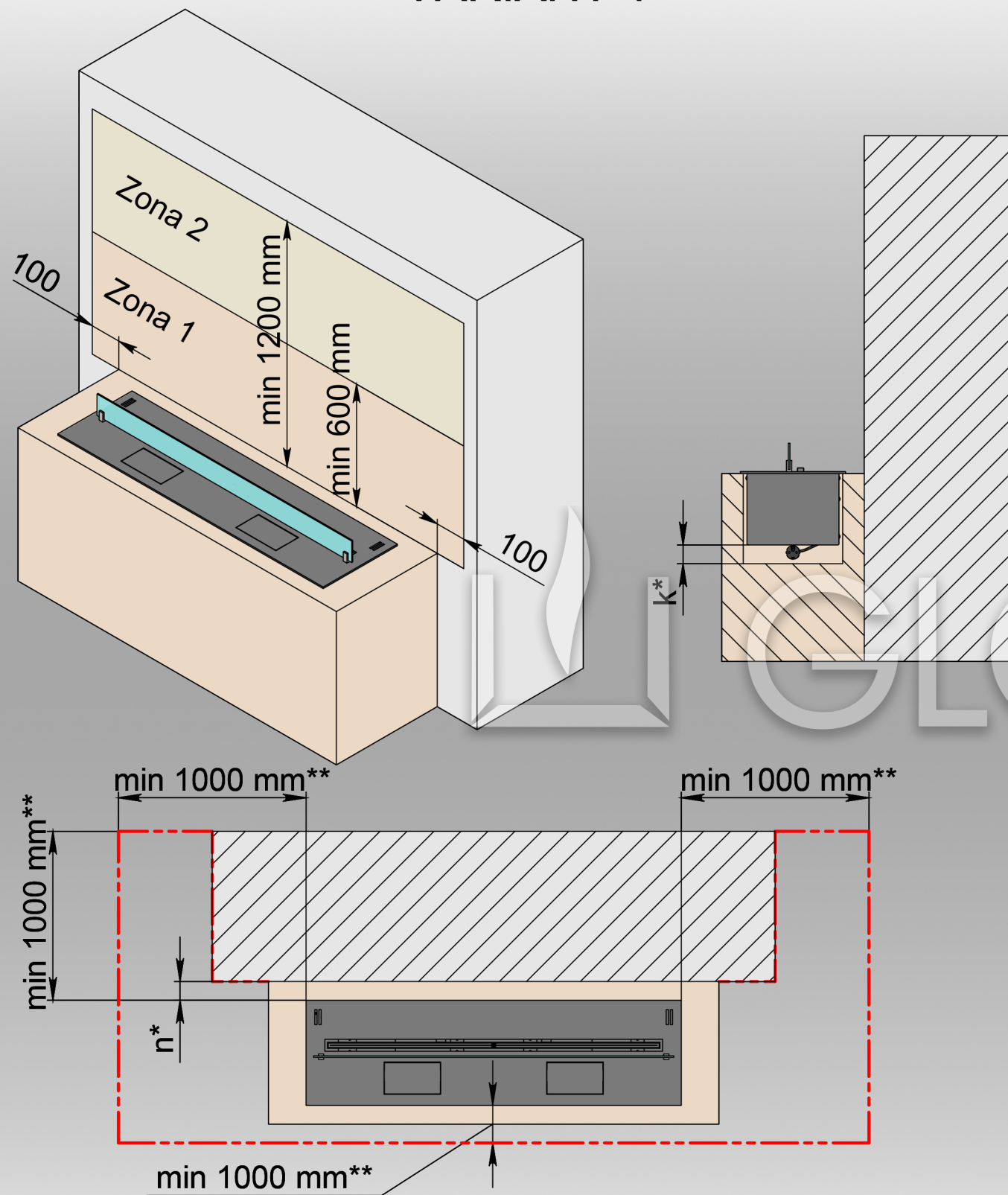
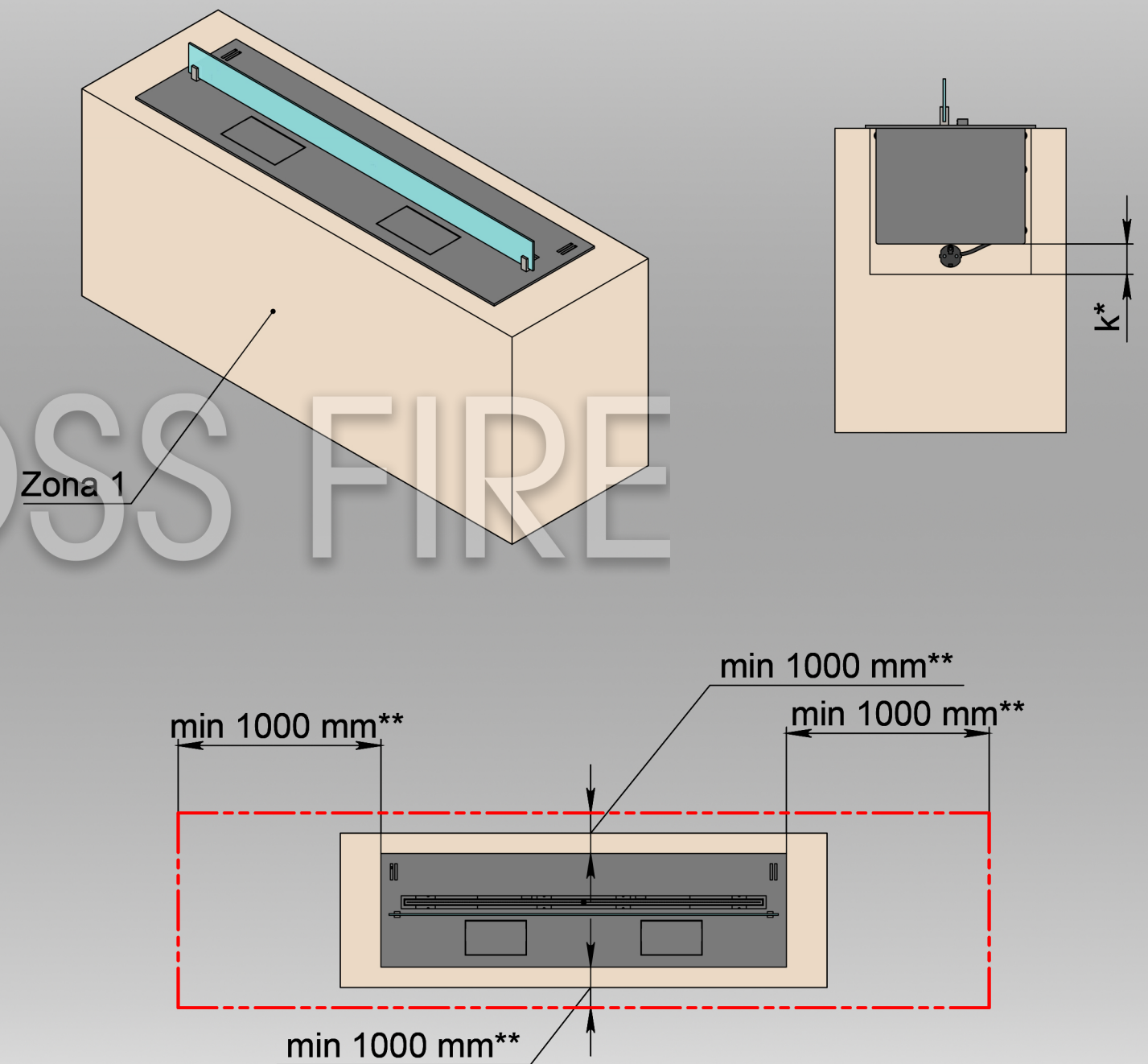


INSTALLING AN AUTOMATIC BIO-FIREPLACE IN A TUMB

VARIANT 1



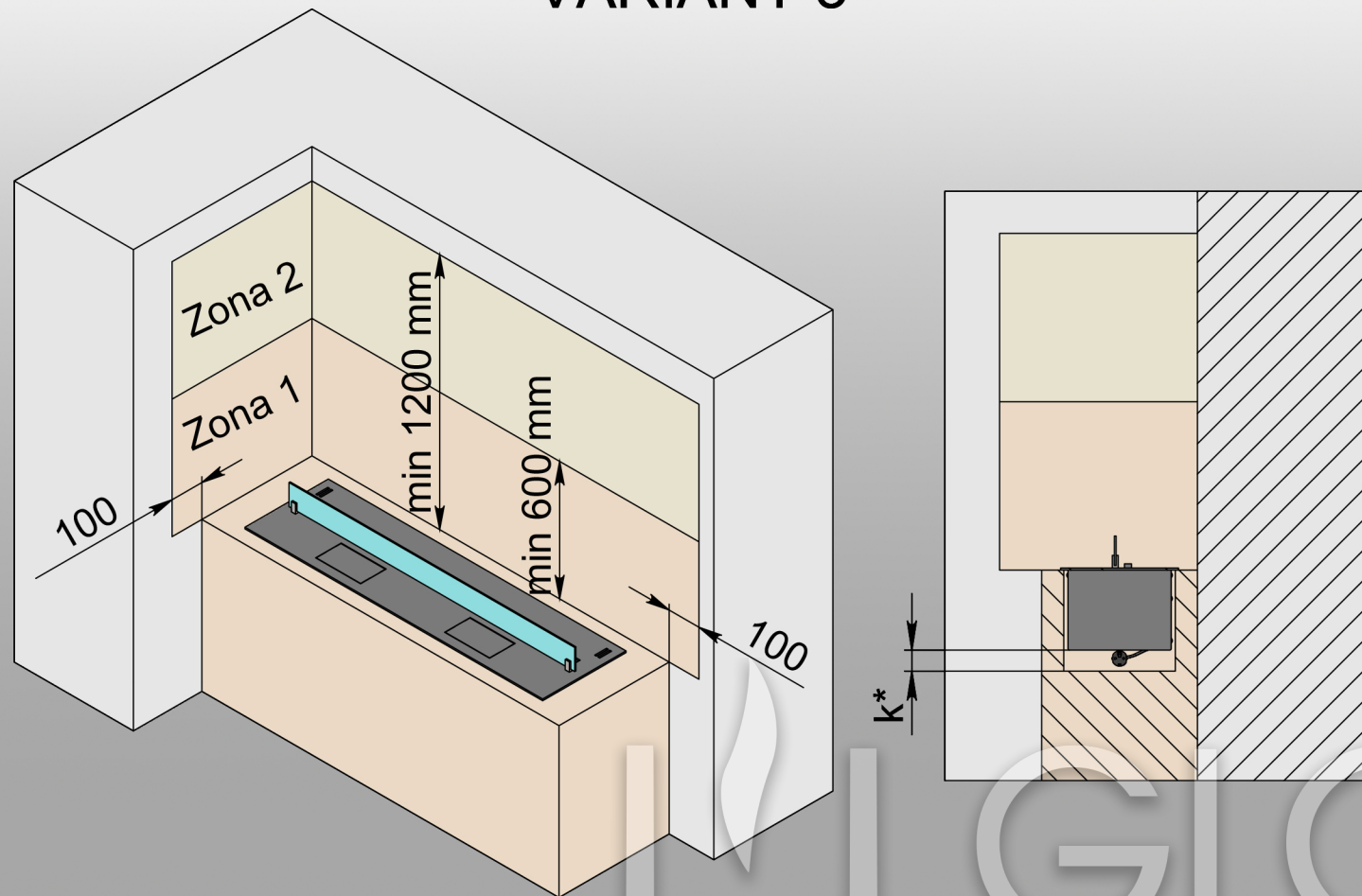
VARIANT 2



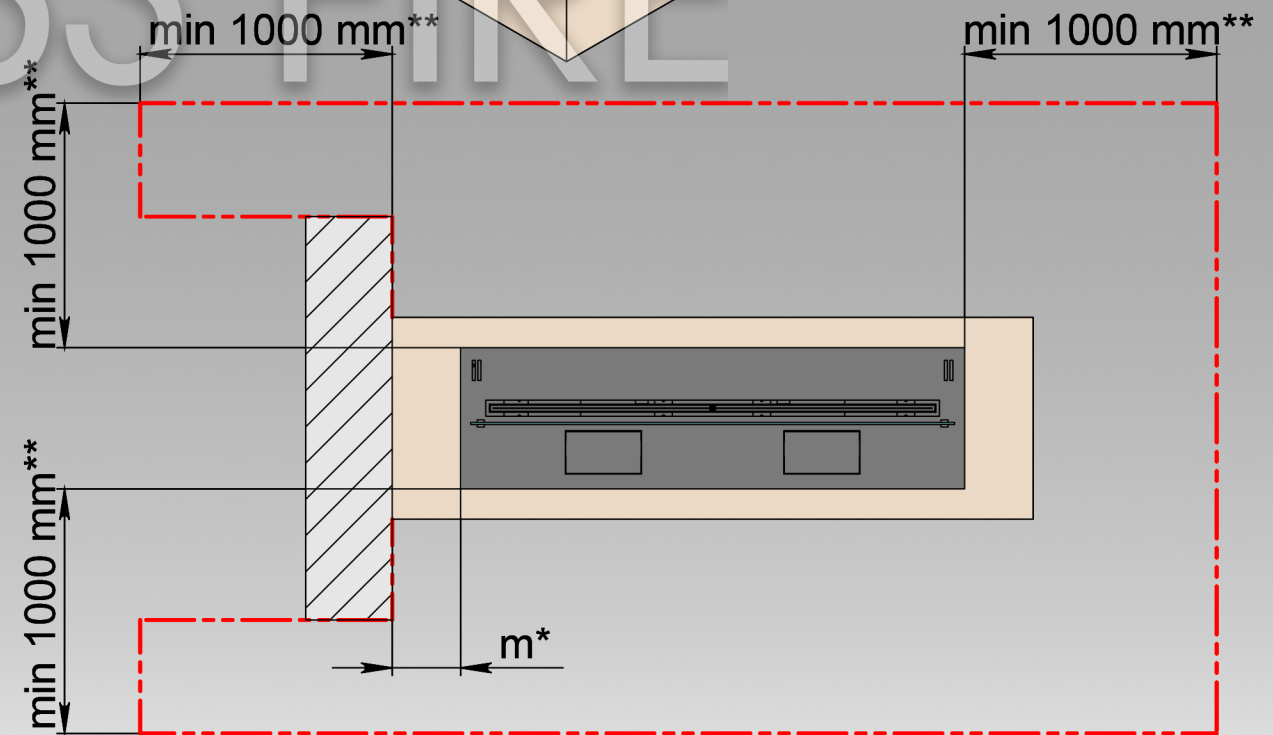
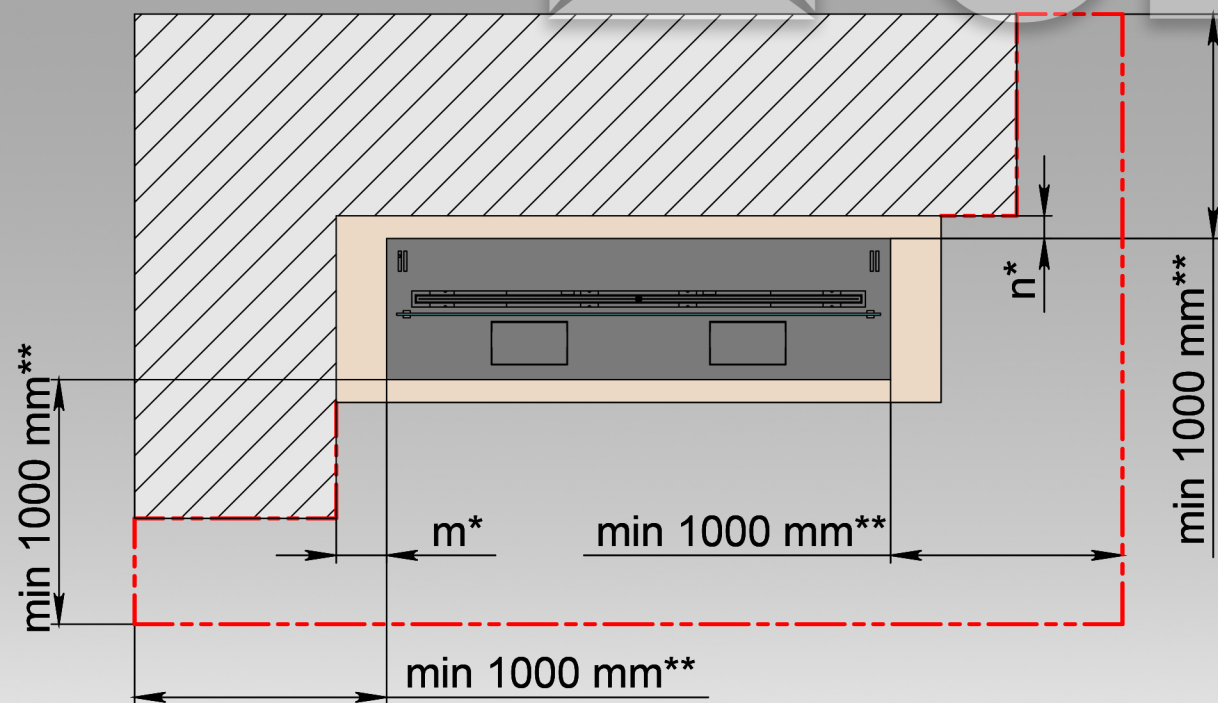
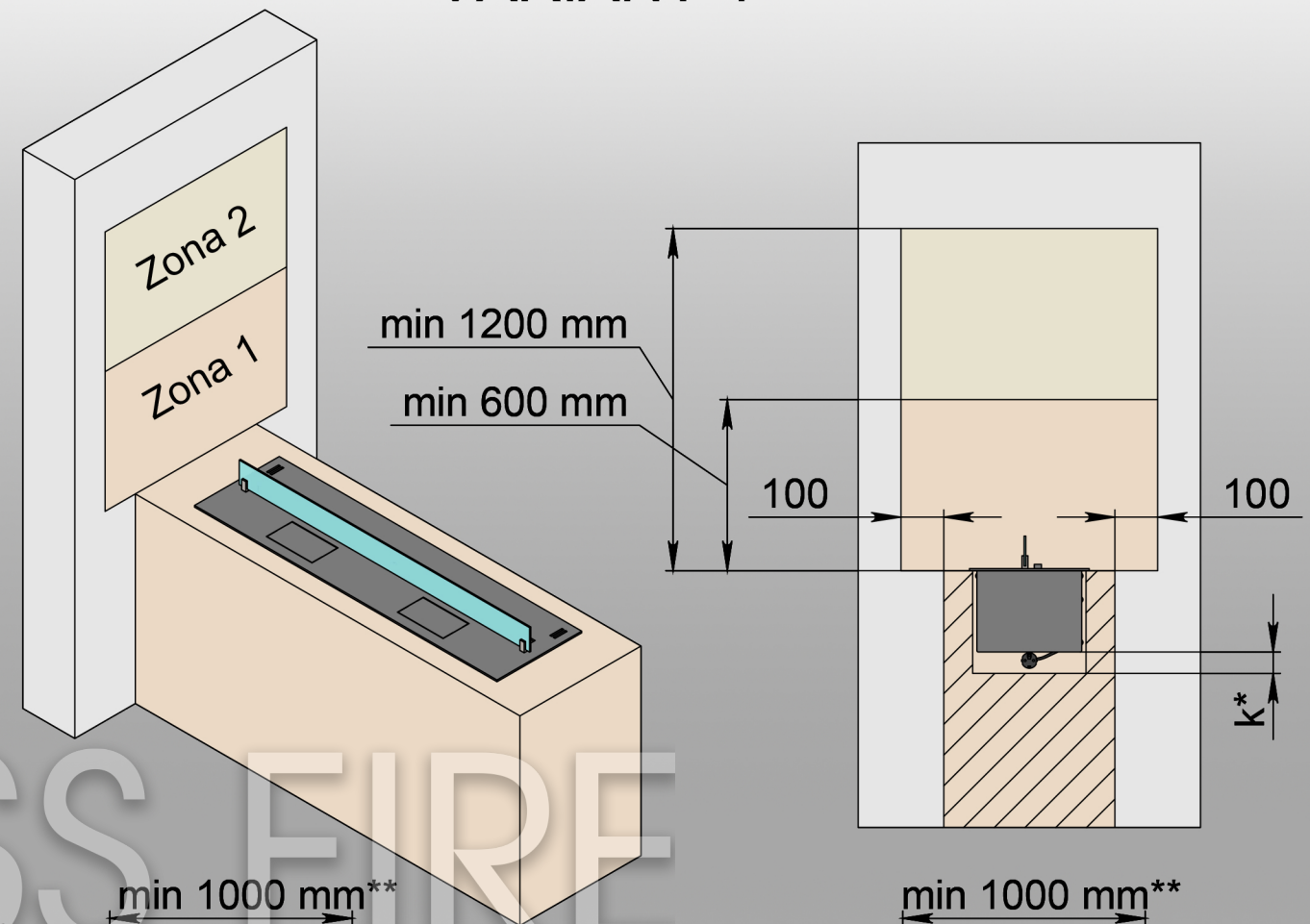
m^* , n^* - not less than 50 mm. k^* - not less than 100 mm. **Minimum distance from the edge of the bio-fireplace to the nearest flammable object. **Important!** The surface of the cabinet must be made of fireproof materials. Installing glass on a biofireplace is mandatory. Zone 1 must be made of fireproof materials. Zone 2 must withstand temperatures up to 80 °C. Electrical connection - Euro socket Min. 3x1.5 mm², 230 V, 50 Hz, PE ⊕

INSTALLING AN AUTOMATIC BIO-FIREPLACE IN A TUMB

VARIANT 3



VARIANT 4



m^* , n^* - not less than 50 mm. k^* - not less than 100 mm. ** Minimum distance from the edge of the bio-fireplace to the nearest flammable object. **Important!** The surface of the cabinet must be made of fireproof materials. Installing glass on a biofireplace is mandatory. Zone 1 must be made of fireproof materials. Zone 2 must withstand temperatures up to 80°C . Electrical connection - Euro socket Min. $3 \times 1.5 \text{ mm}^2$, 230 V, 50 Hz, PE \oplus