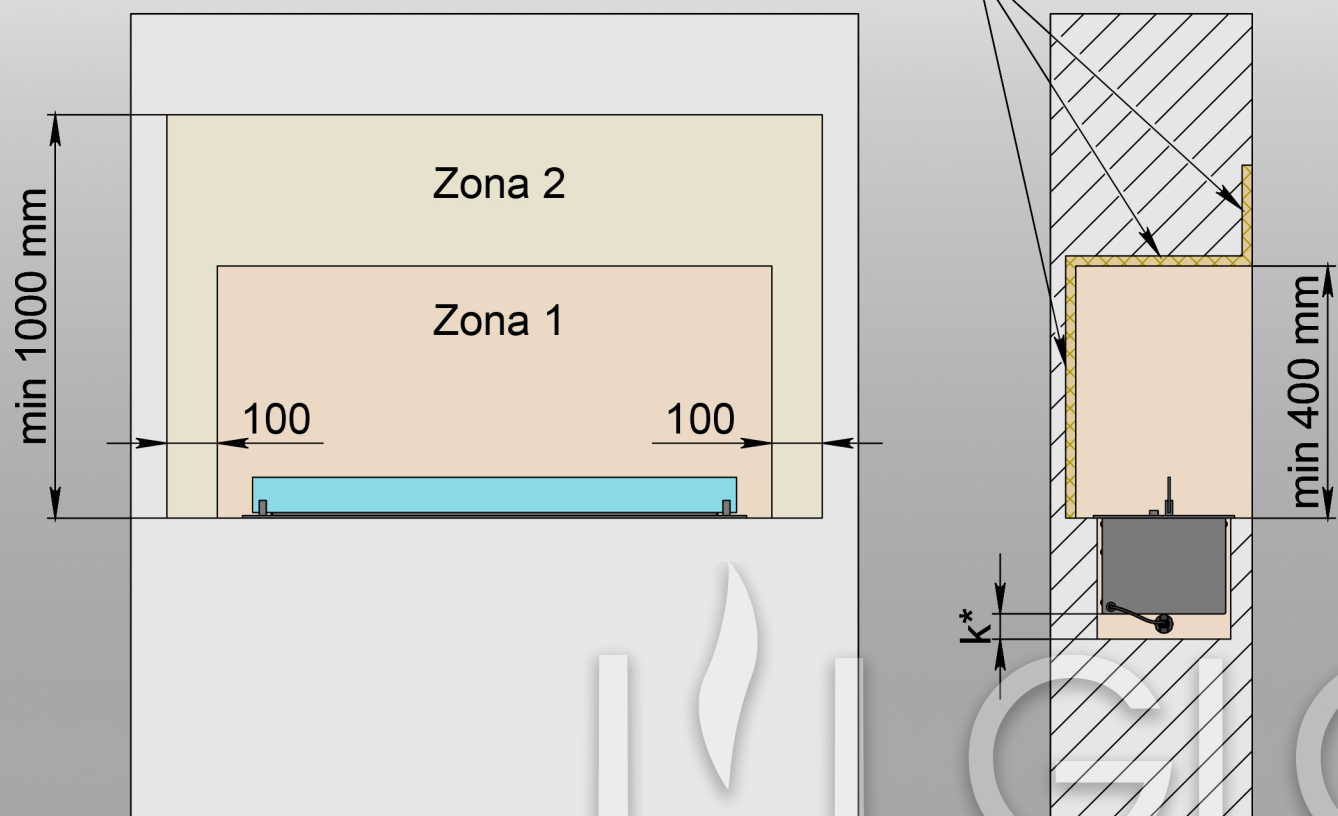
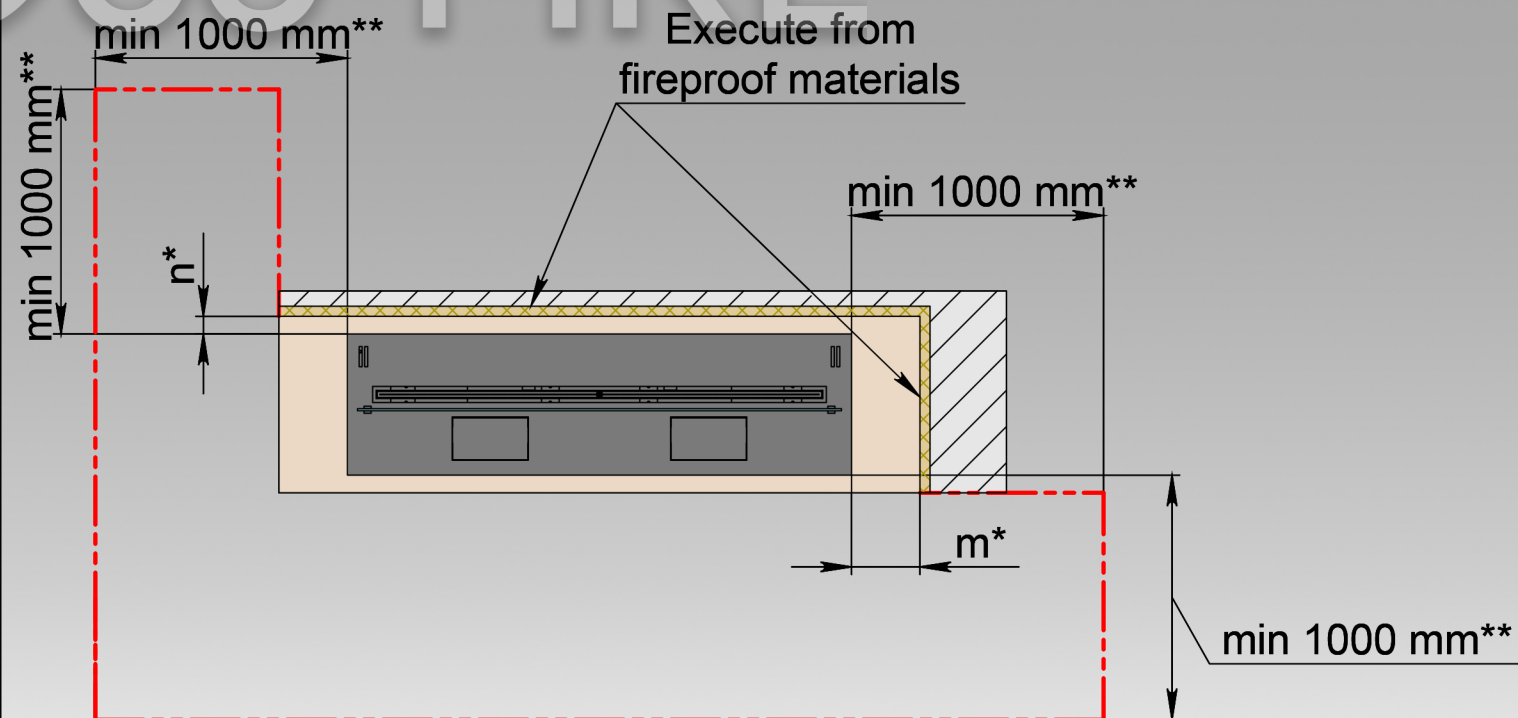
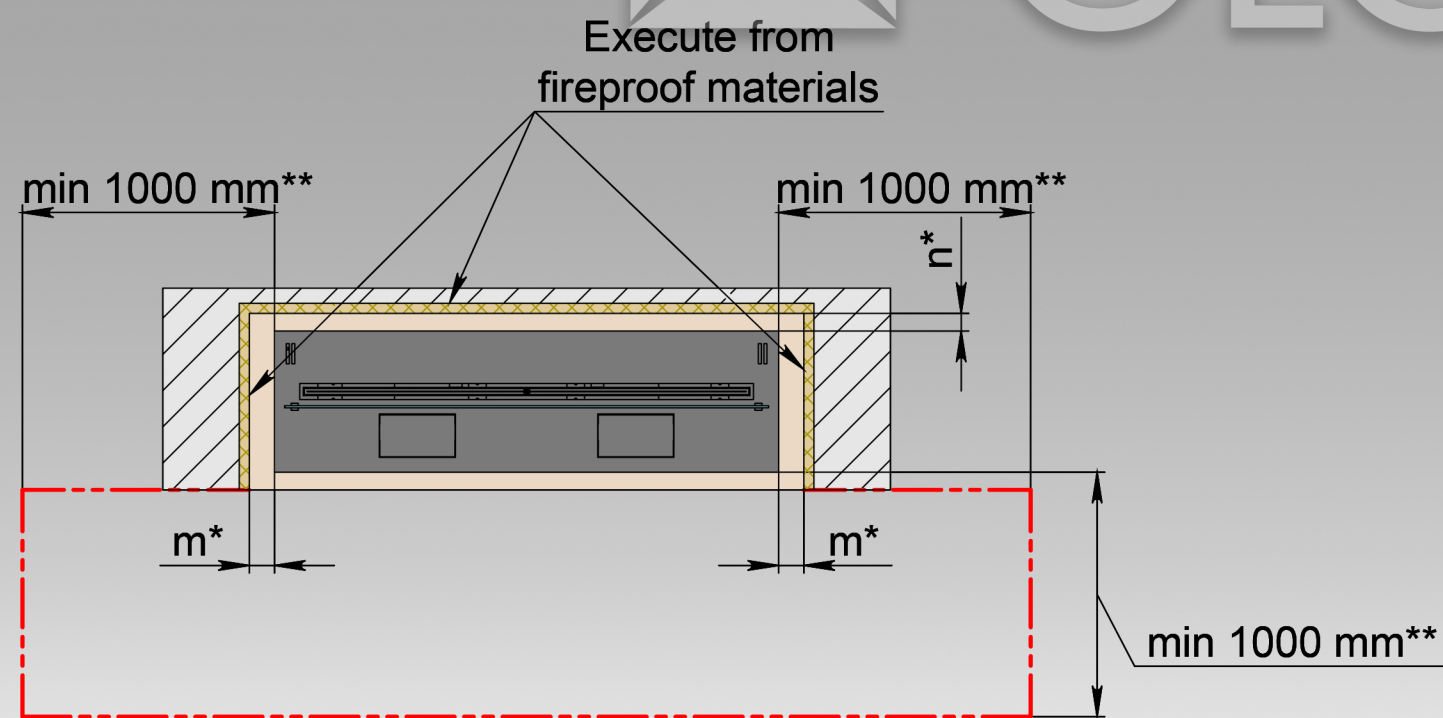
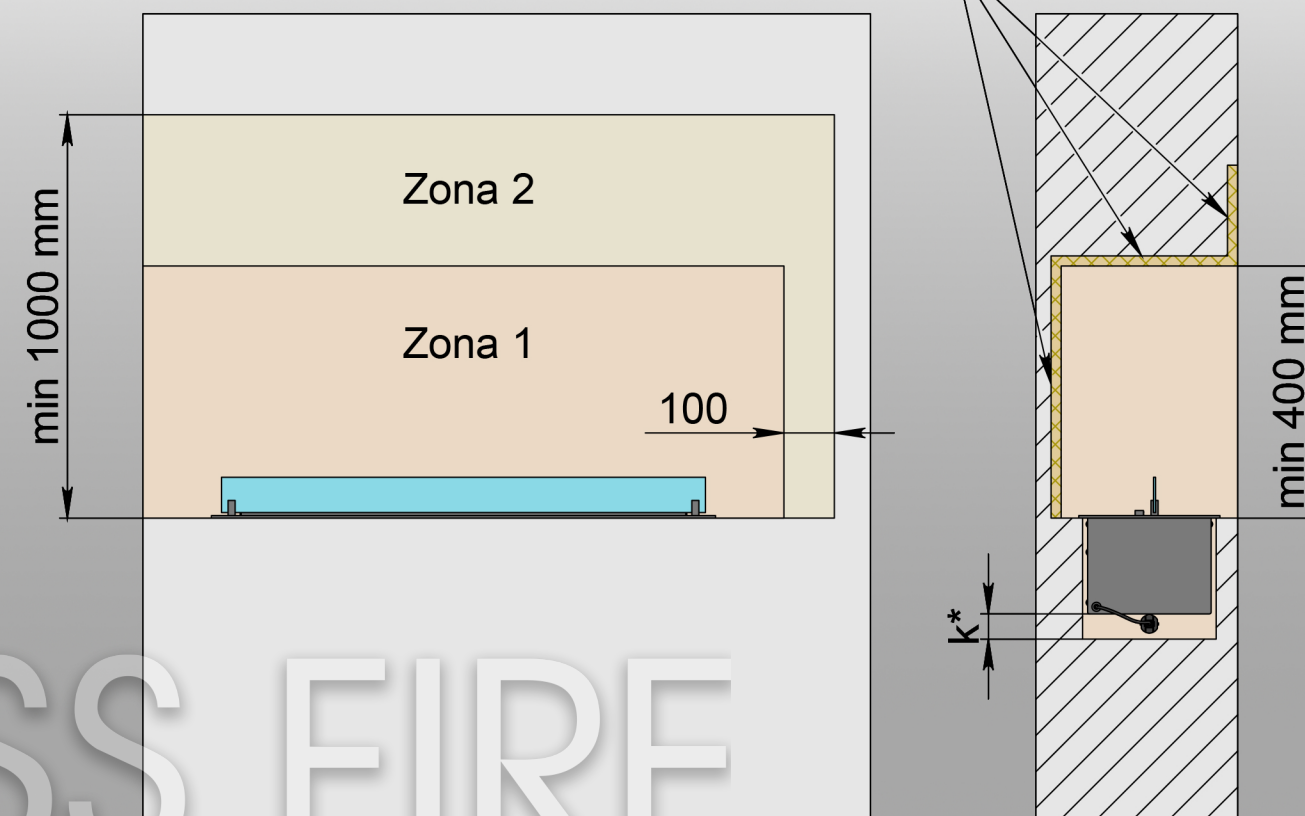


INSTALLING AUTOMATIC BIO-FIREPLACE

VARIANT 1



VARIANT 2

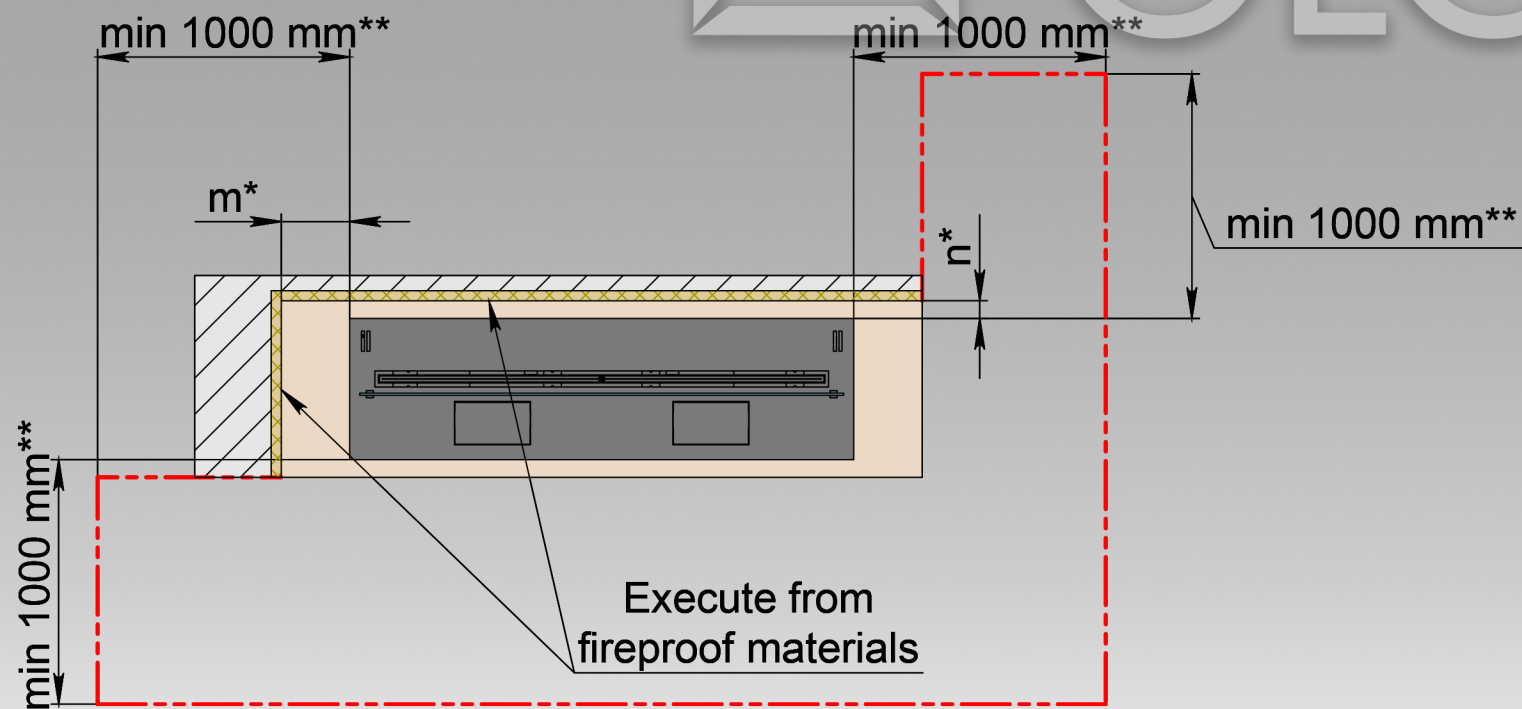
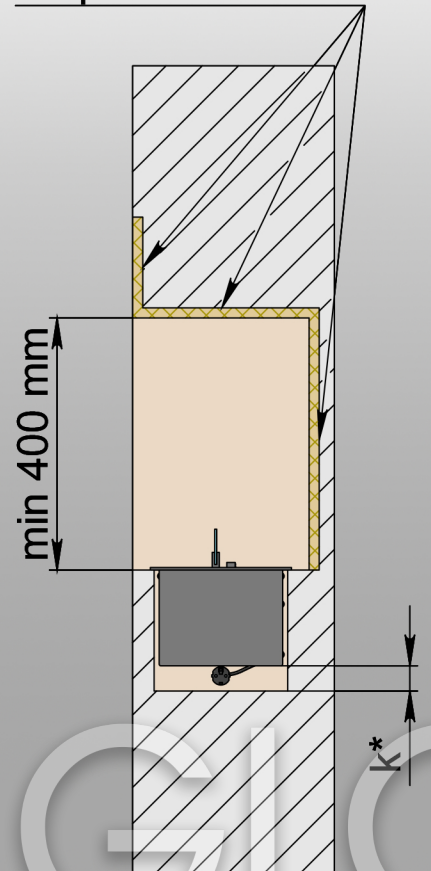
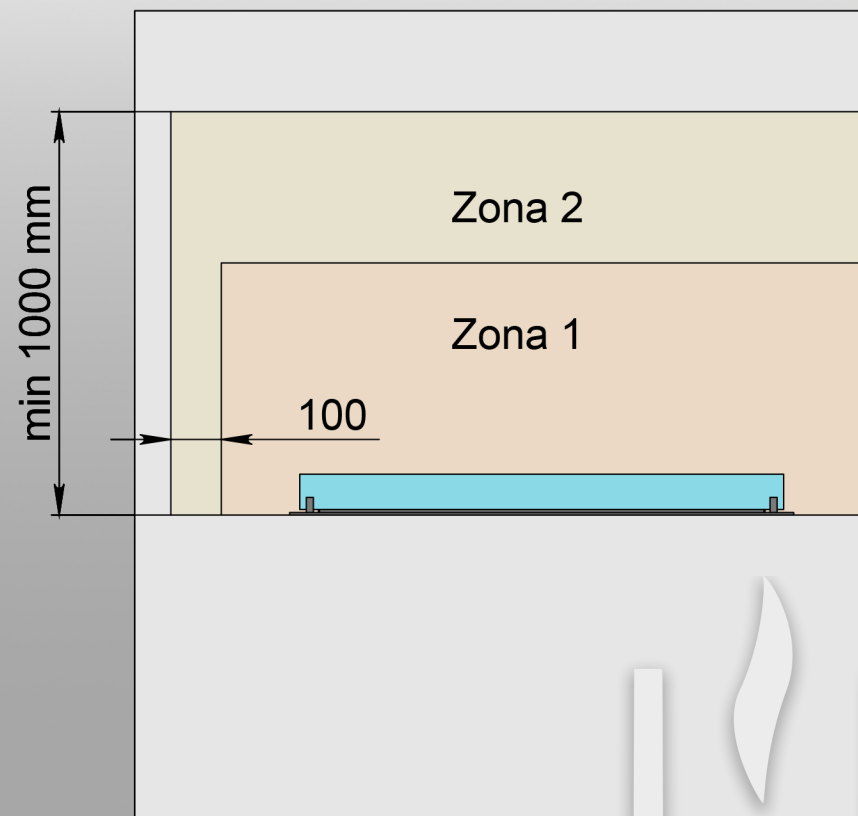


m^* , n^* - not less than 50 mm. k^* - not less than 100 mm. $**$ Minimum distance from the edge of the bio-fireplace to the nearest flammable object.
Important! Zone 1 must be made of fireproof materials. Zone 2 must withstand temperatures up to 80°C.
 Installing glass on a biofireplace is mandatory. Electrical connection - Euro socket Min. 3x1,5 mm², 230 V, 50 Hz, PE ⊕

INSTALLING AUTOMATIC BIO-FIREPLACE

VARIANT 3

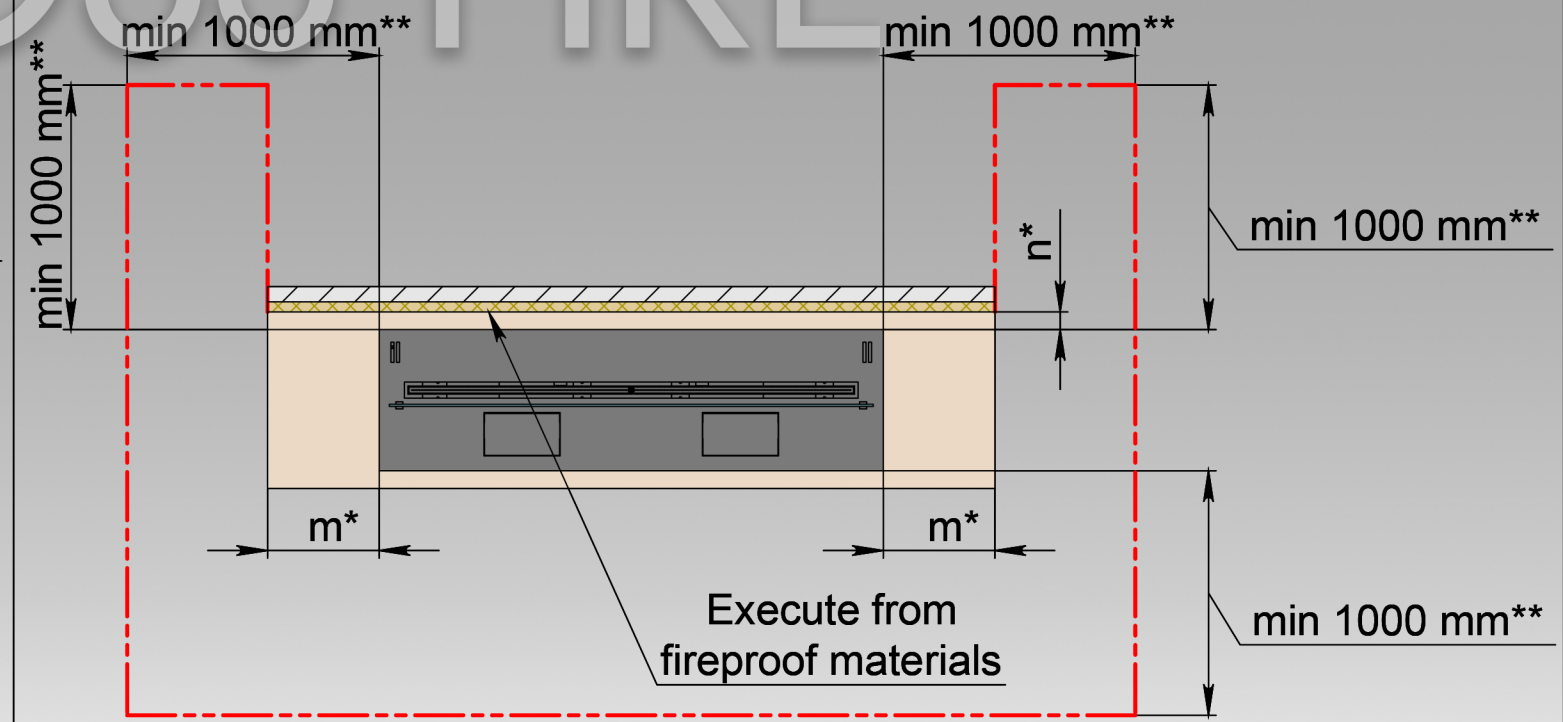
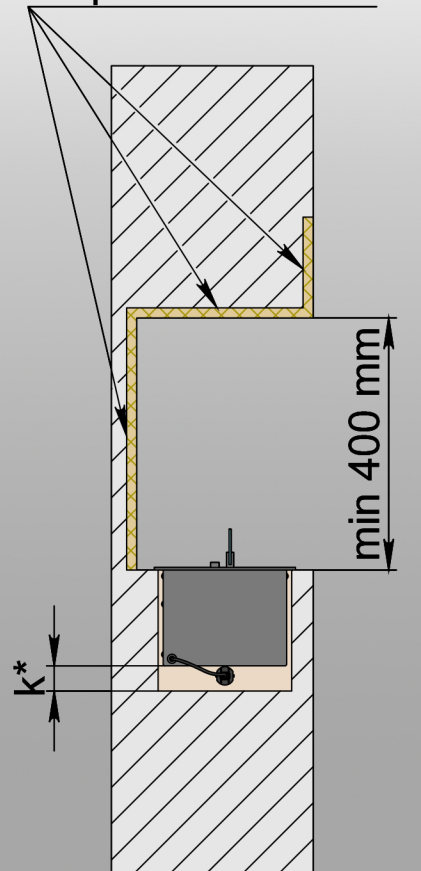
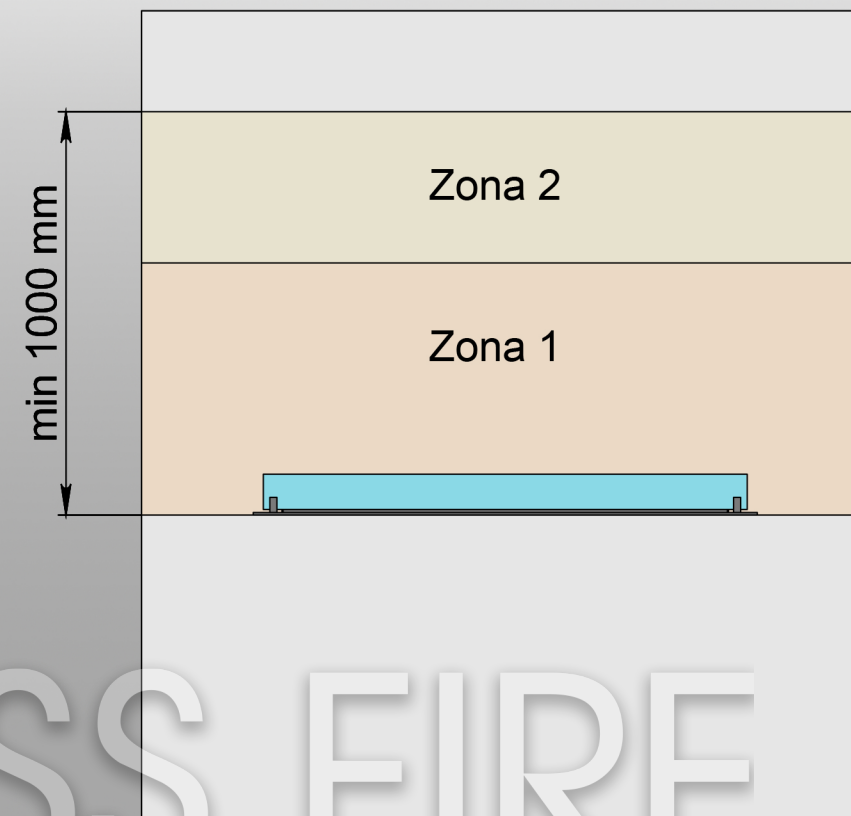
Execute from
fireproof materials



Execute from
fireproof materials

VARIANT 4

Execute from
fireproof materials



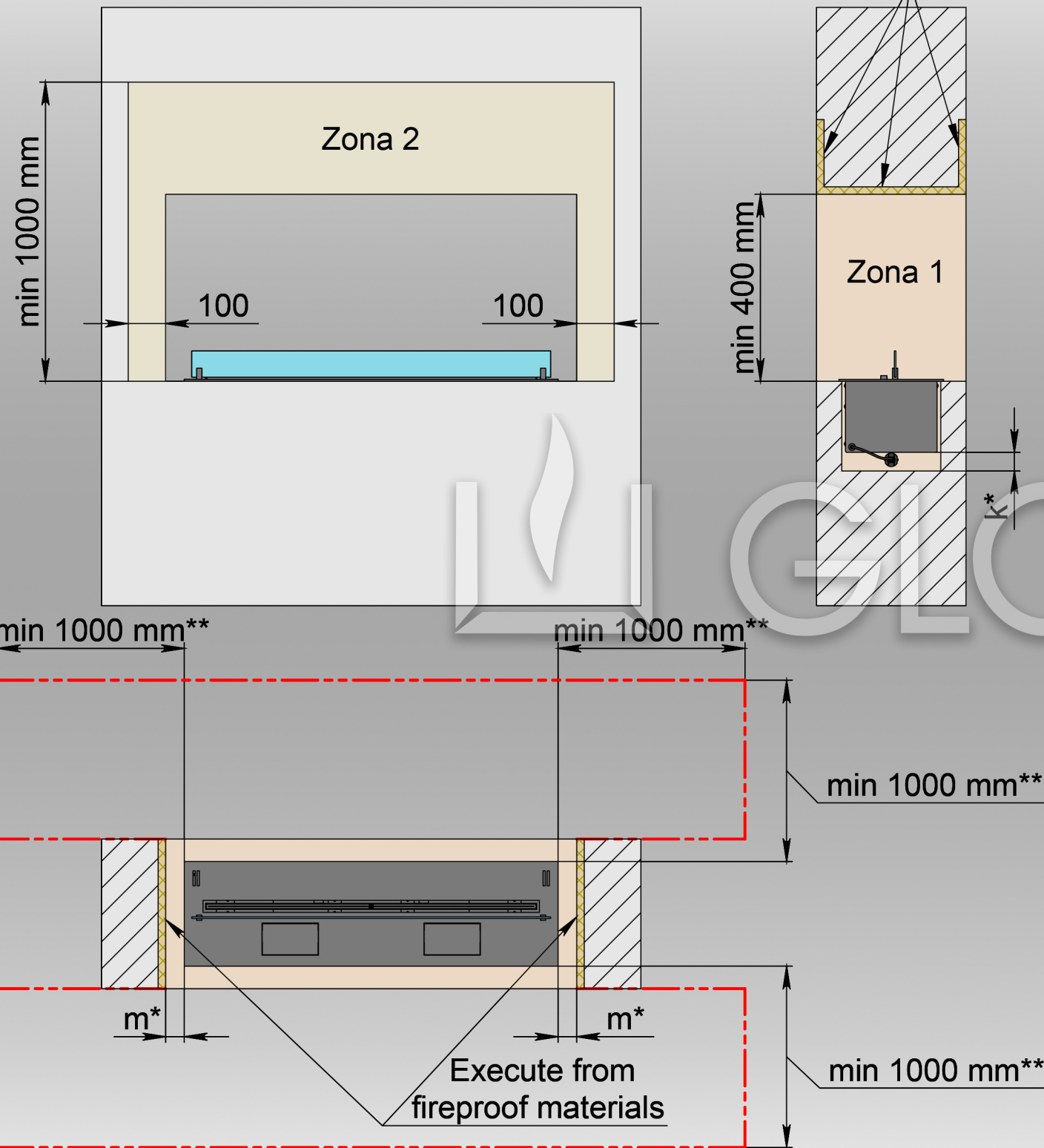
Execute from
fireproof materials

m^* , n^* - not less than 50 mm. k^* - not less than 100 mm. **Minimum distance from the edge of the bio-fireplace to the nearest flammable object.
Important! Zone 1 must be made of fireproof materials. Zone 2 must withstand temperatures up to 80 °C.
 Installing glass on a biofireplace is mandatory. Electrical connection - Euro socket Min. 3x1,5 mm², 230 V, 50 Hz, PE ⊕

INSTALLING AUTOMATIC BIO-FIREPLACE

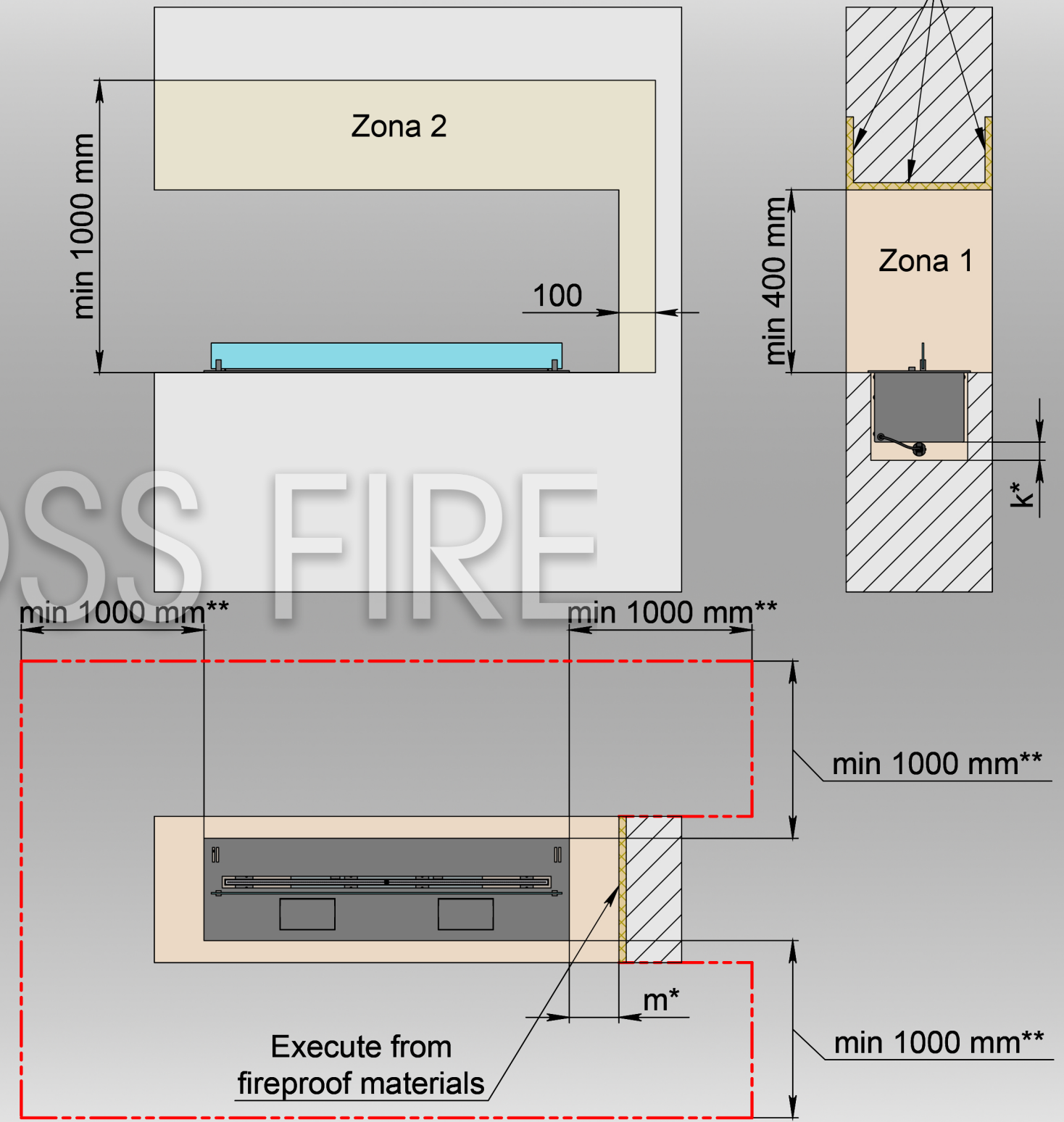
VARIANT 5

Execute from
fireproof materials



VARIANT 6

Execute from
fireproof materials



m*, n* - not less than 50 mm. k* - not less than 100 mm.**Minimum distance from the edge of the bio-fireplace to the nearest flammable object.
Important! Zone 1 must be made of fireproof materials. Zone 2 must withstand temperatures up to 80 °C.
 Installing glass on a biofireplace is mandatory. Electrical connection - Euro socket Min. 3x1,5 mm², 230 V, 50 Hz, PE ⊕