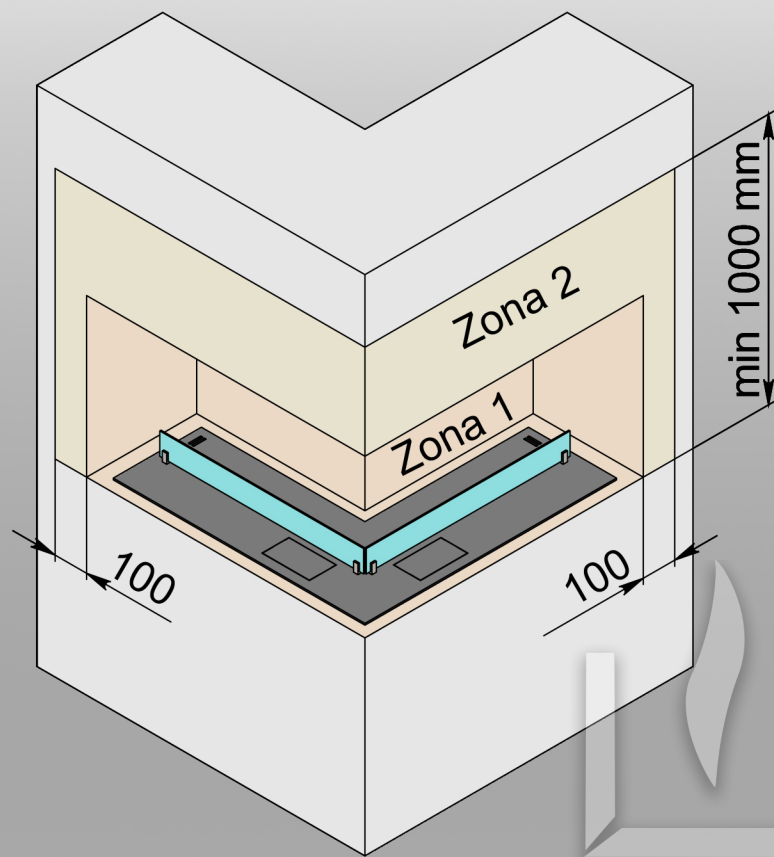
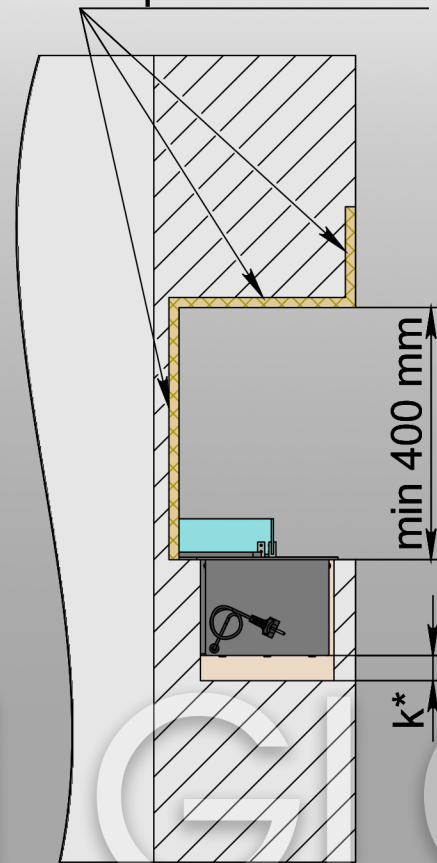


INSTALLING AN AUTOMATIC BIO-FIREPLACE DALEX CORNER-ART.01

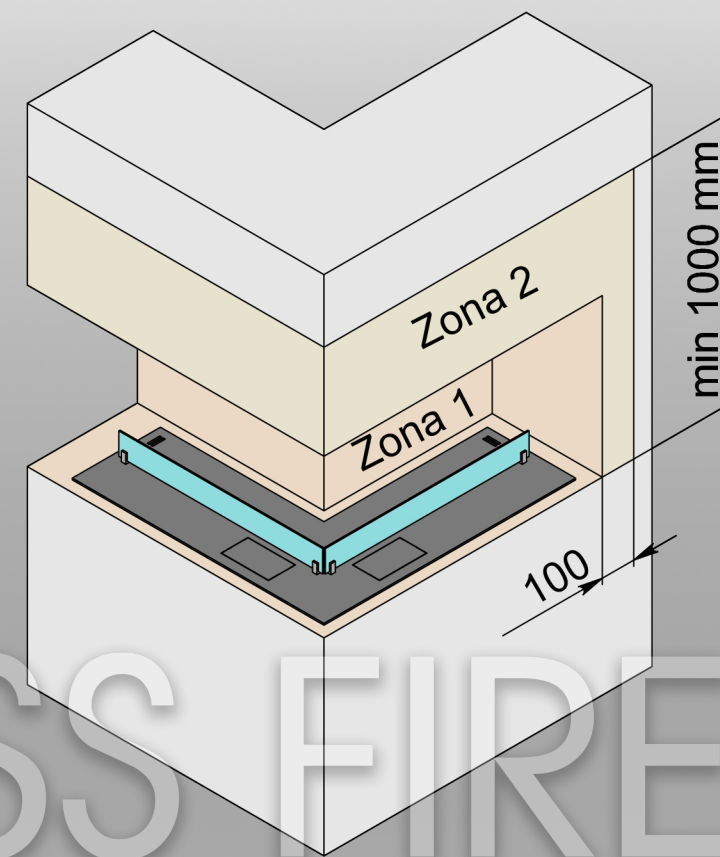
VARIANT 1



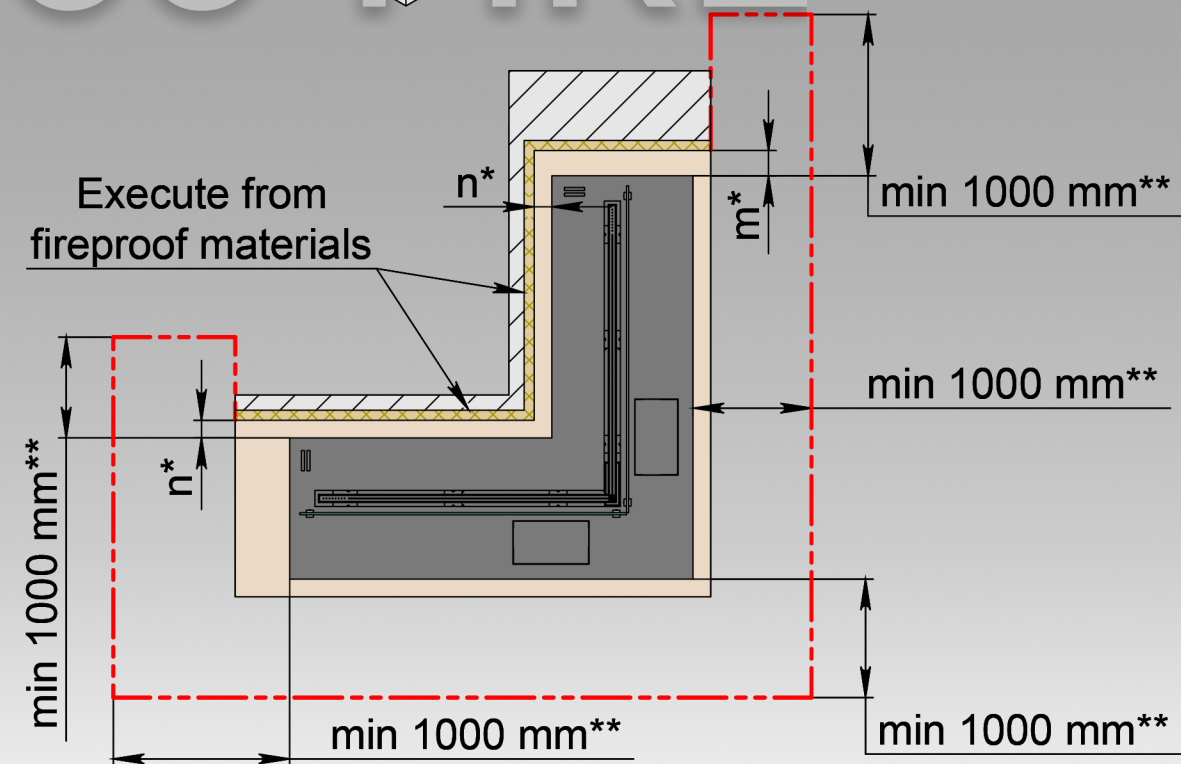
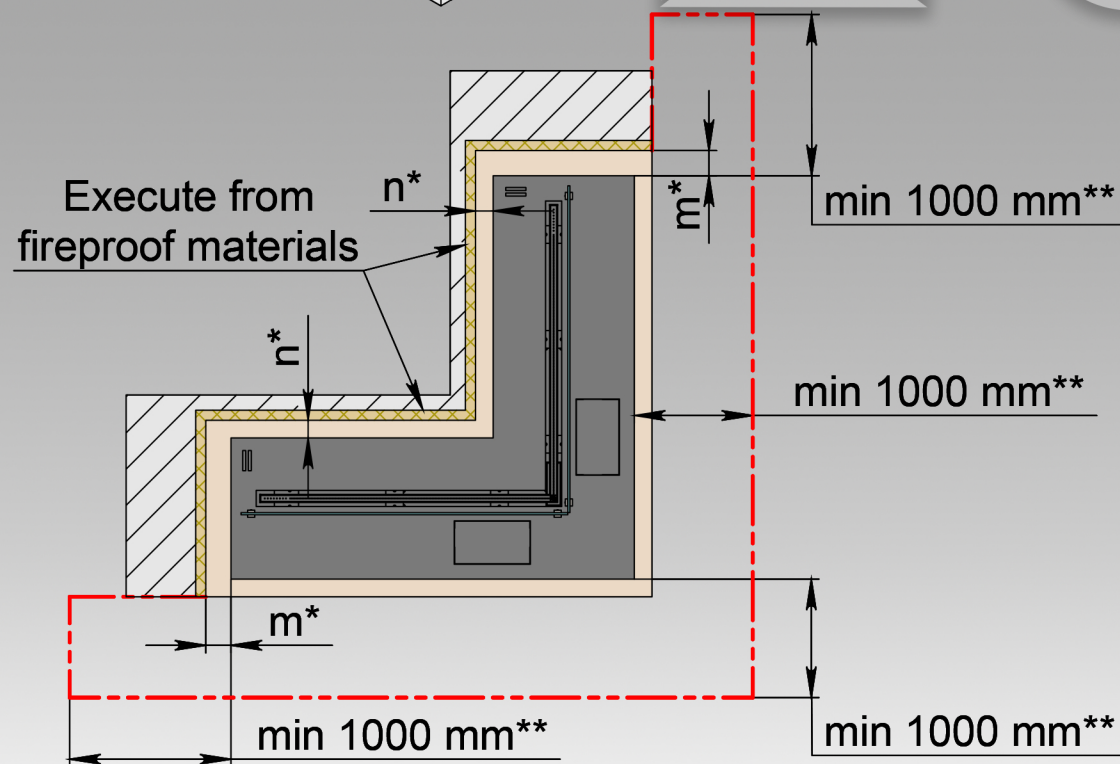
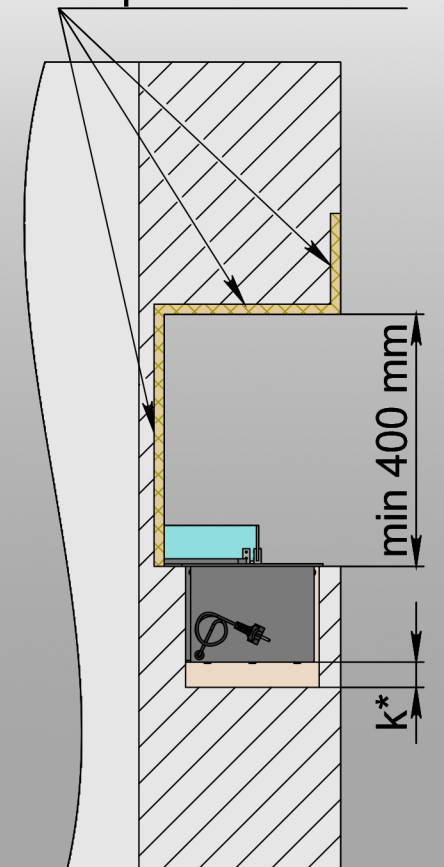
Execute from fireproof materials



VARIANT 2



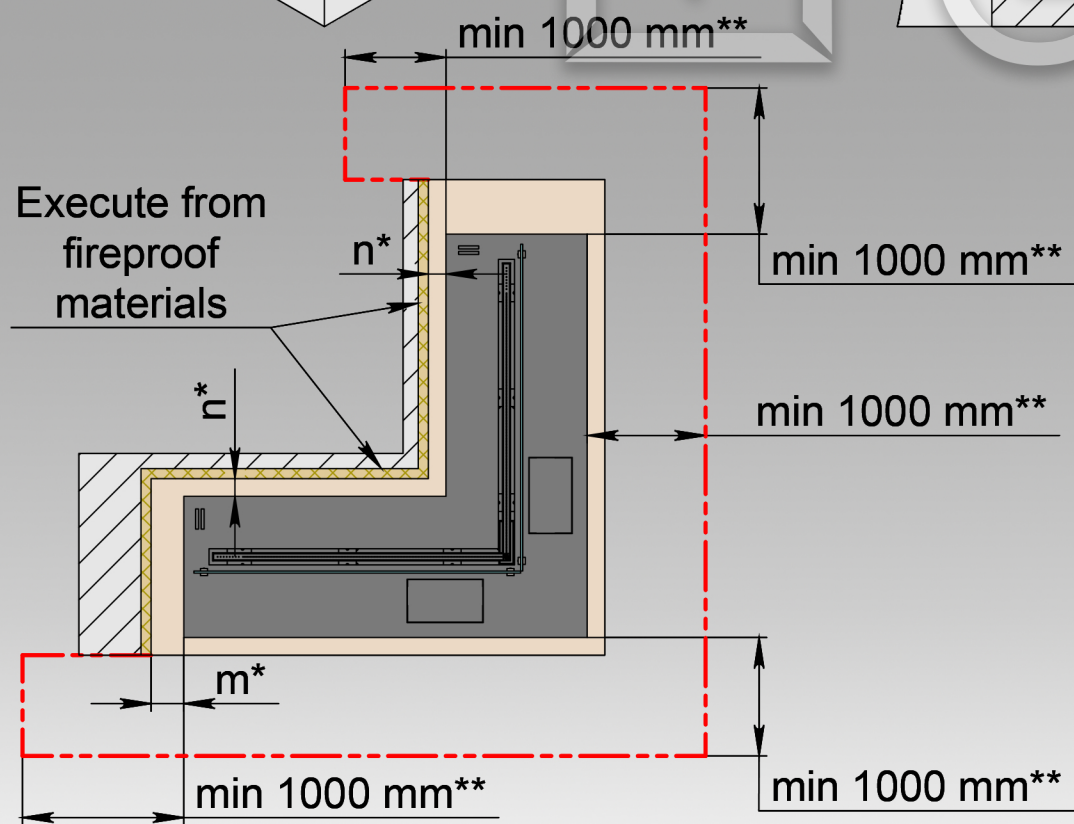
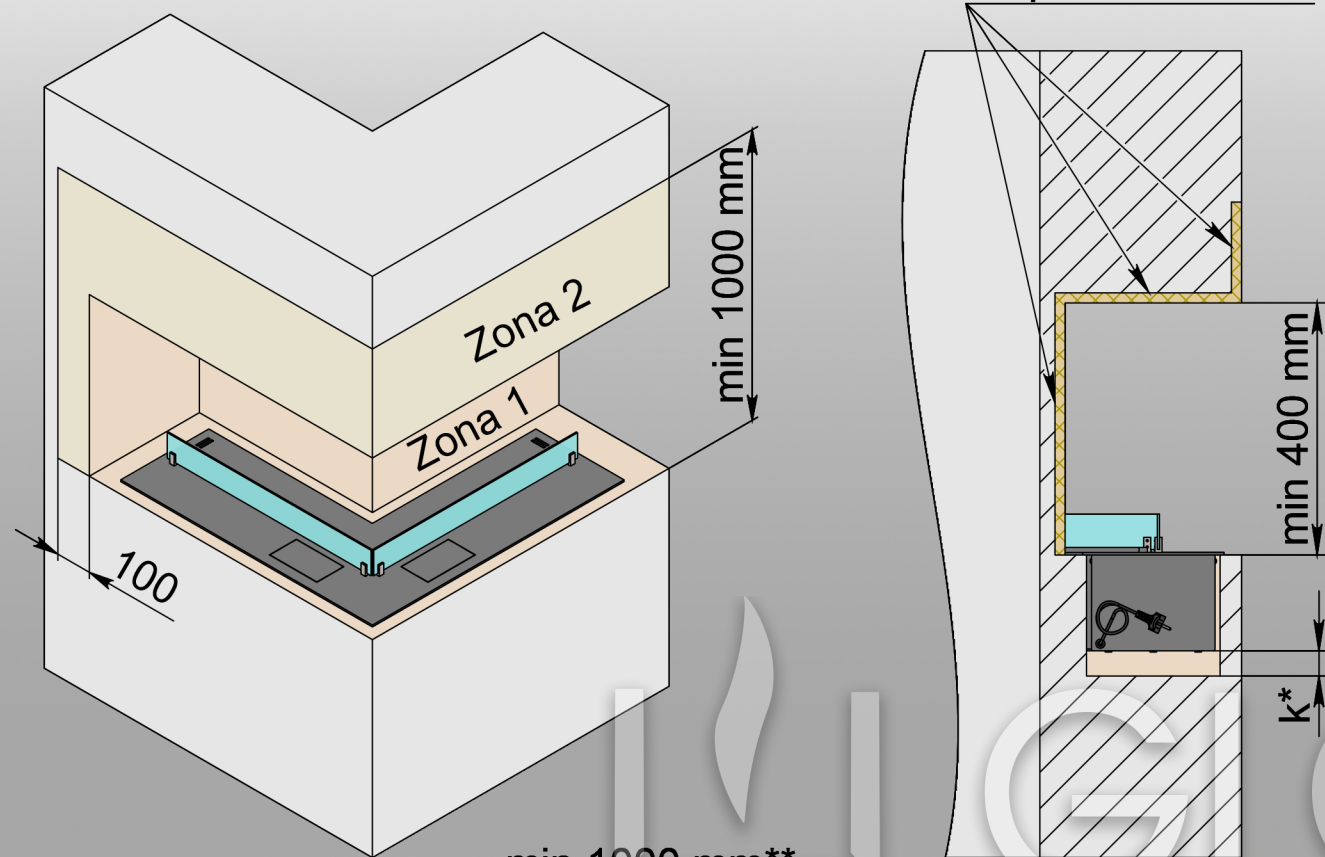
Execute from fireproof materials



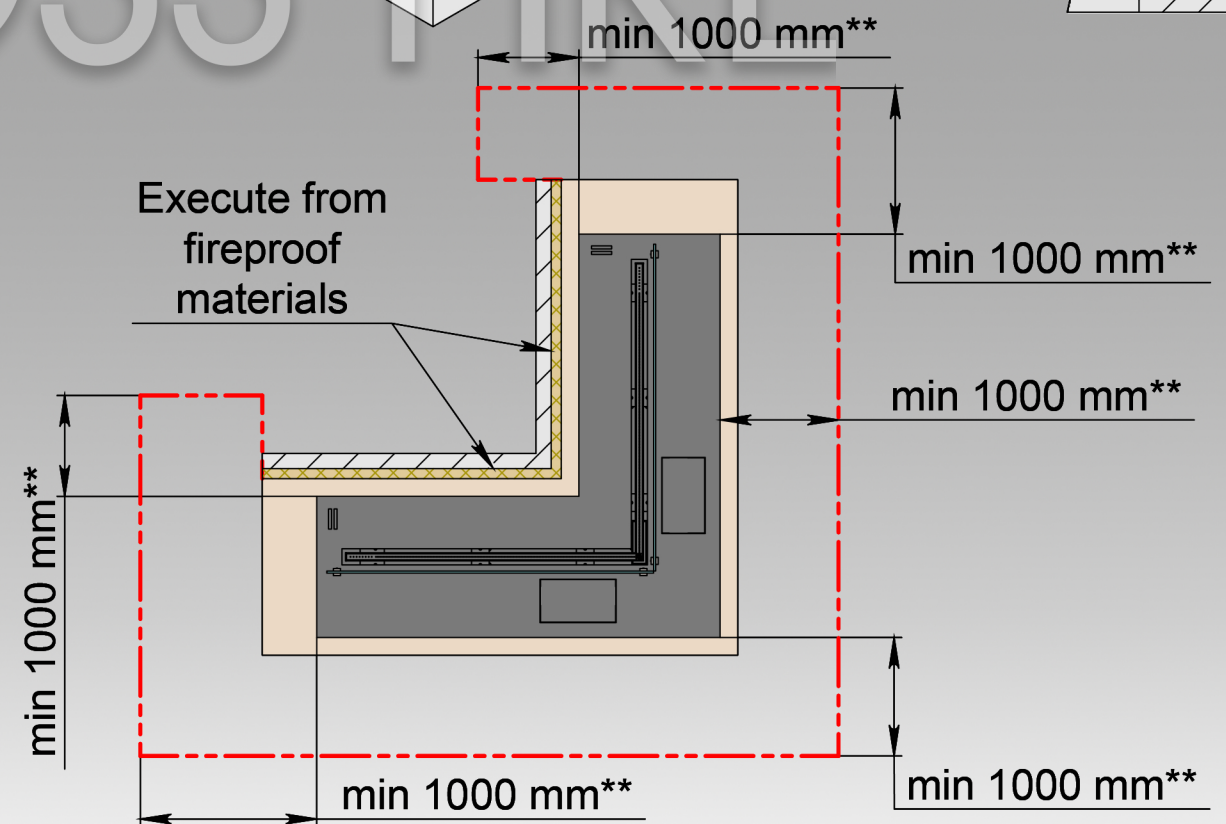
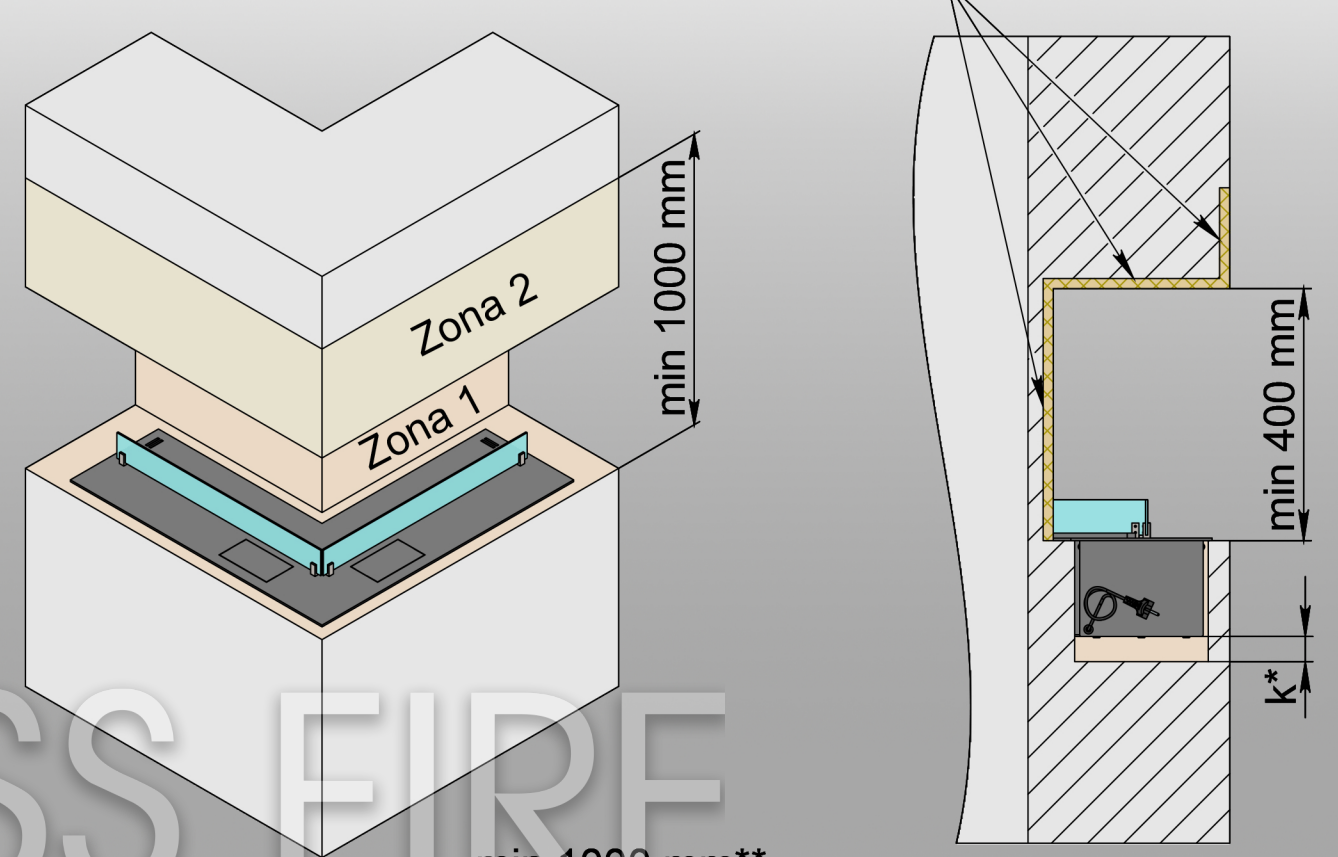
m^* , n^* - not less than 50 mm. k^* - not less than 100 mm. **Minimum distance from the edge of the bio-fireplace to the nearest flammable object.
Important! Zone 1 must be made of fireproof materials. Zone 2 must withstand temperatures up to 80°C.
 Installing glass on a biofireplace is mandatory. Electrical connection - Euro socket Min. 3x1.5 mm², 230 V, 50 Hz, PE ⊕

INSTALLING AN AUTOMATIC BIO-FIREPLACE DALEX CORNER-ART.01

VARIANT 3



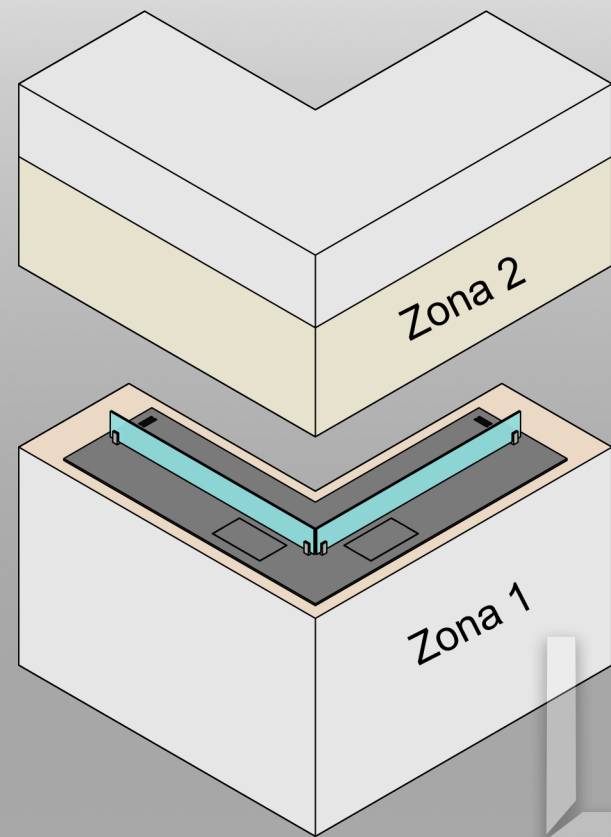
VARIANT 4



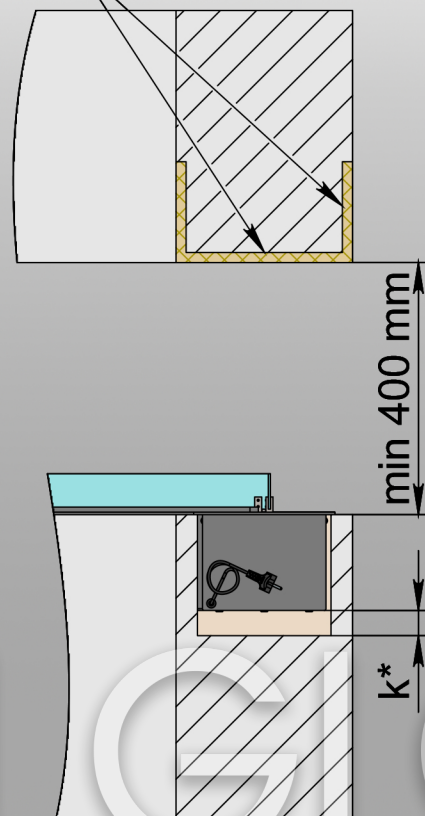
m^* , n^* - not less than 50 mm. k^* - not less than 100 mm. **Minimum distance from the edge of the bio-fireplace to the nearest flammable object.
Important! Zone 1 must be made of fireproof materials. Zone 2 must withstand temperatures up to 80 °C..
 Installing glass on a biofireplace is mandatory. Electrical connection - Euro socket Min. 3x1.5 mm², 230 V, 50 Hz, PE ⊕

INSTALLING AN AUTOMATIC BIO-FIREPLACE DALEX CORNER-ART.01

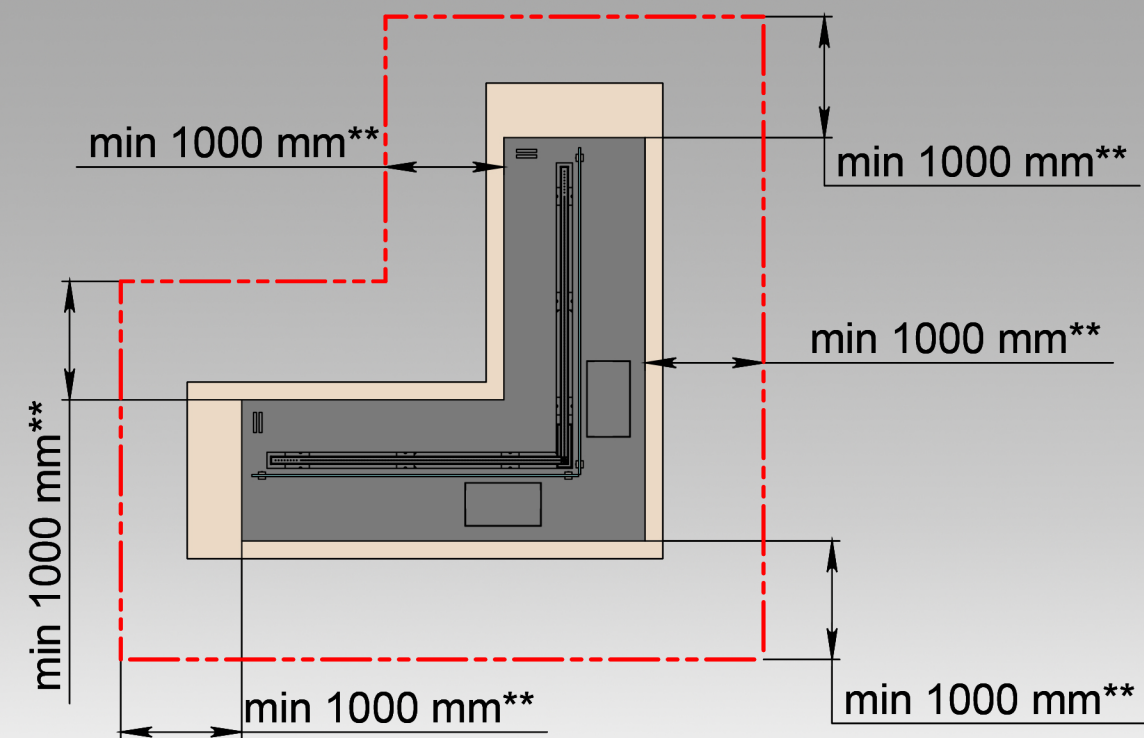
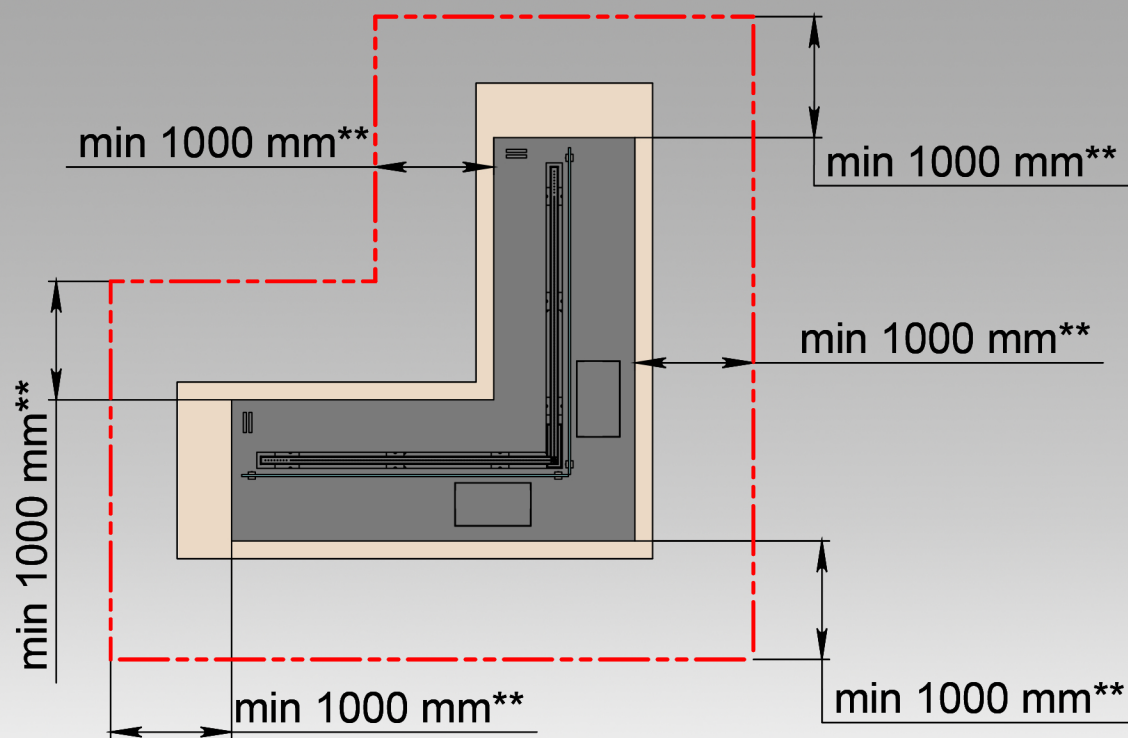
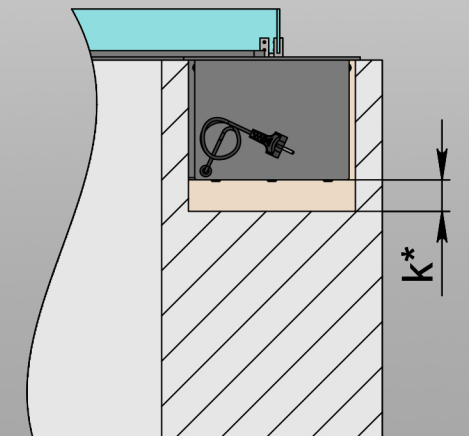
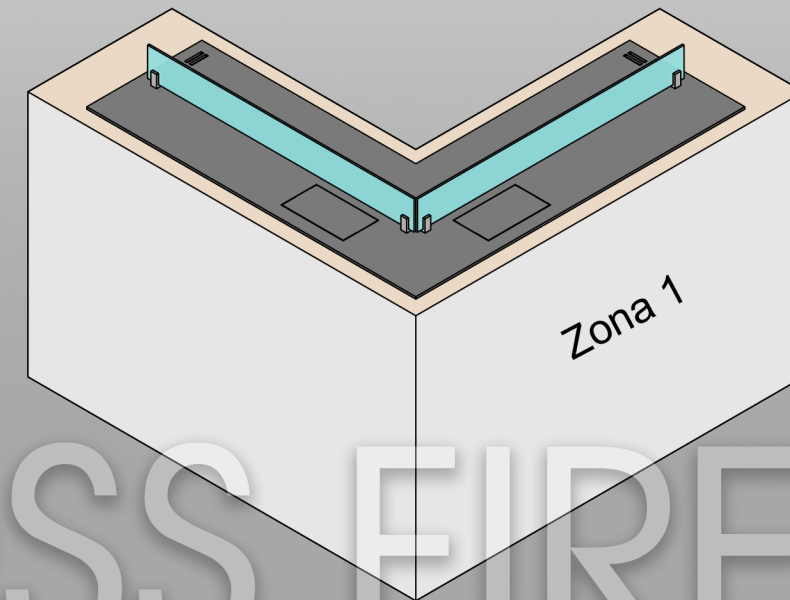
VARIANT 7



Execute from fireproof materials



VARIANT 8



m*, n* - not less than 50 mm. k* - not less than 100 mm. **Minimum distance from the edge of the bio-fireplace to the nearest flammable object.
Important! Zone 1 must be made of fireproof materials. Zone 2 must withstand temperatures up to 80°C..
 Installing glass on a biofireplace is mandatory. Electrical connection - Euro socket Min. 3x1.5 mm², 230 V, 50 Hz, PE ⊕