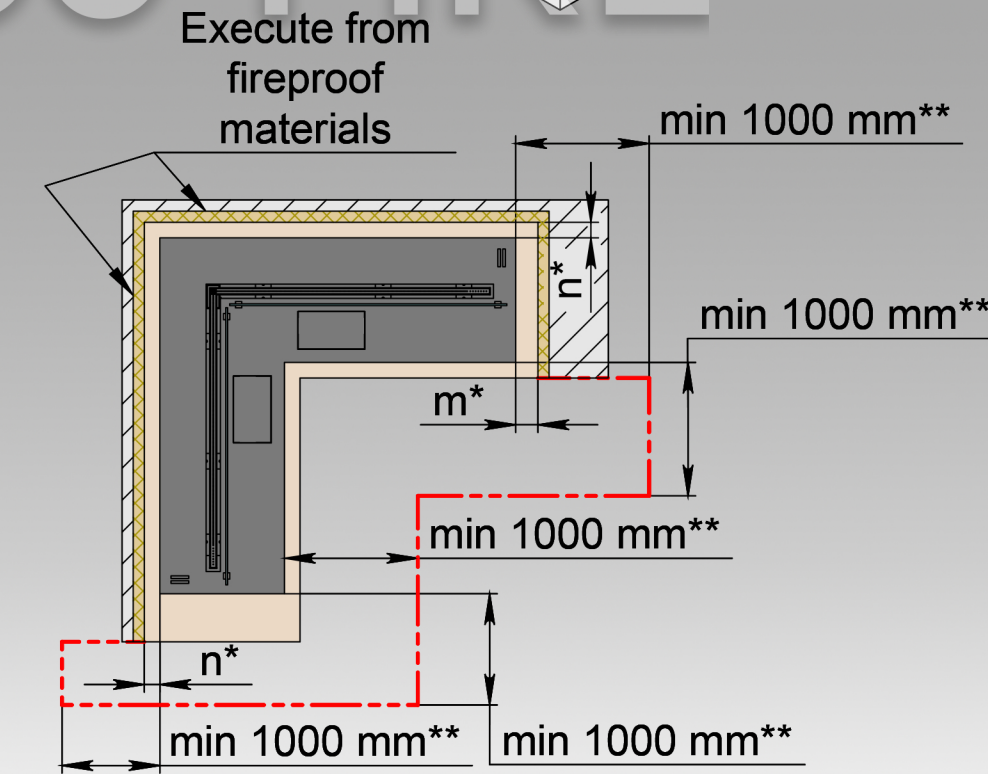
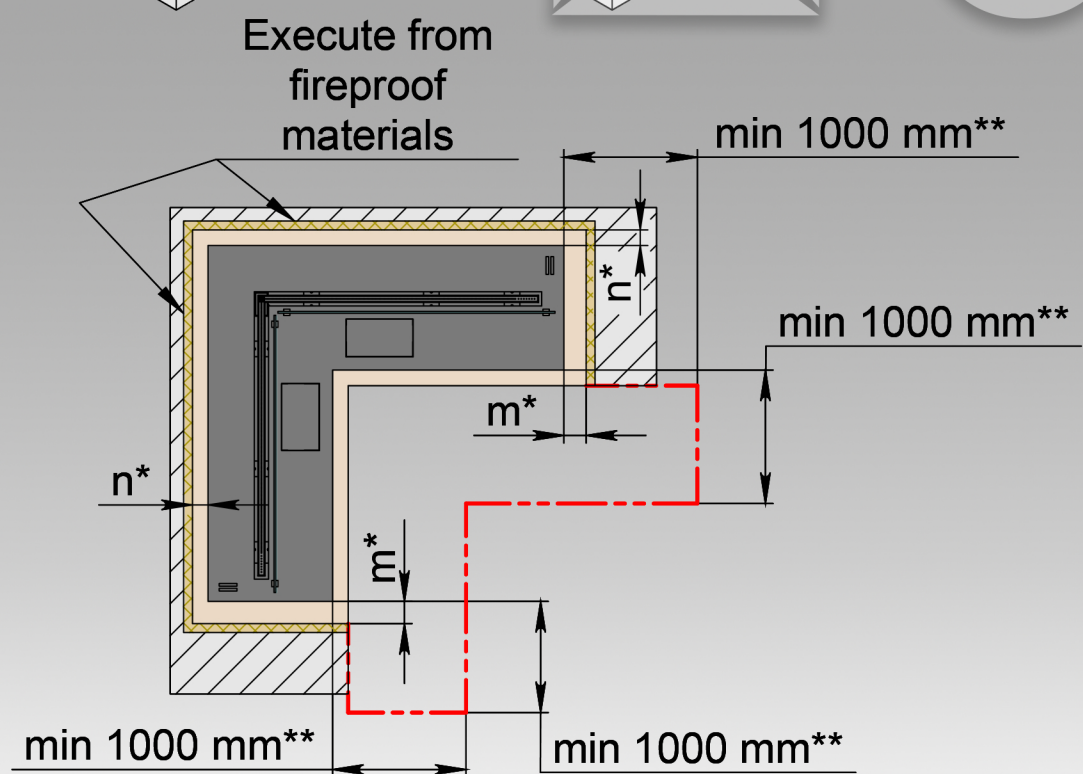
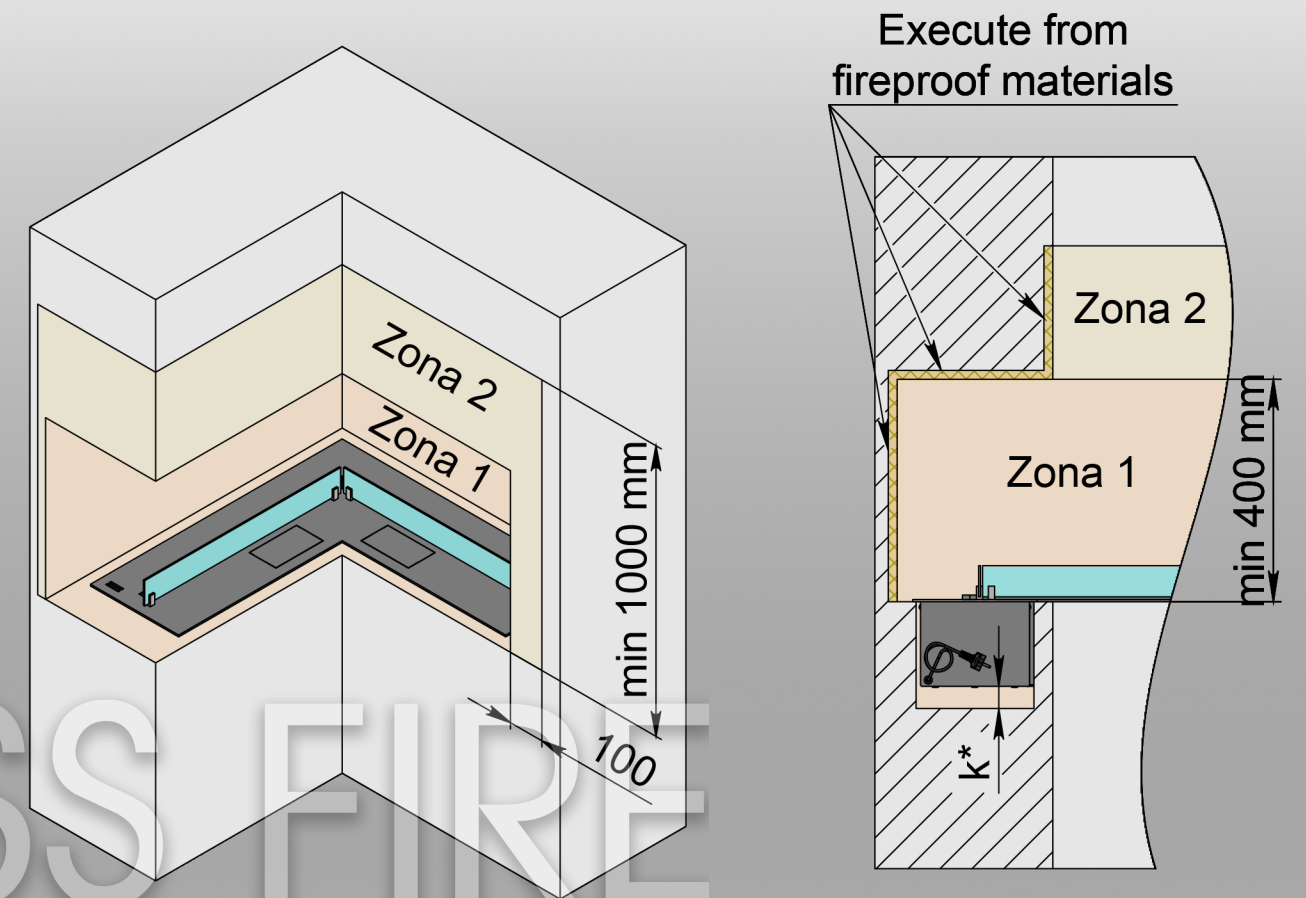
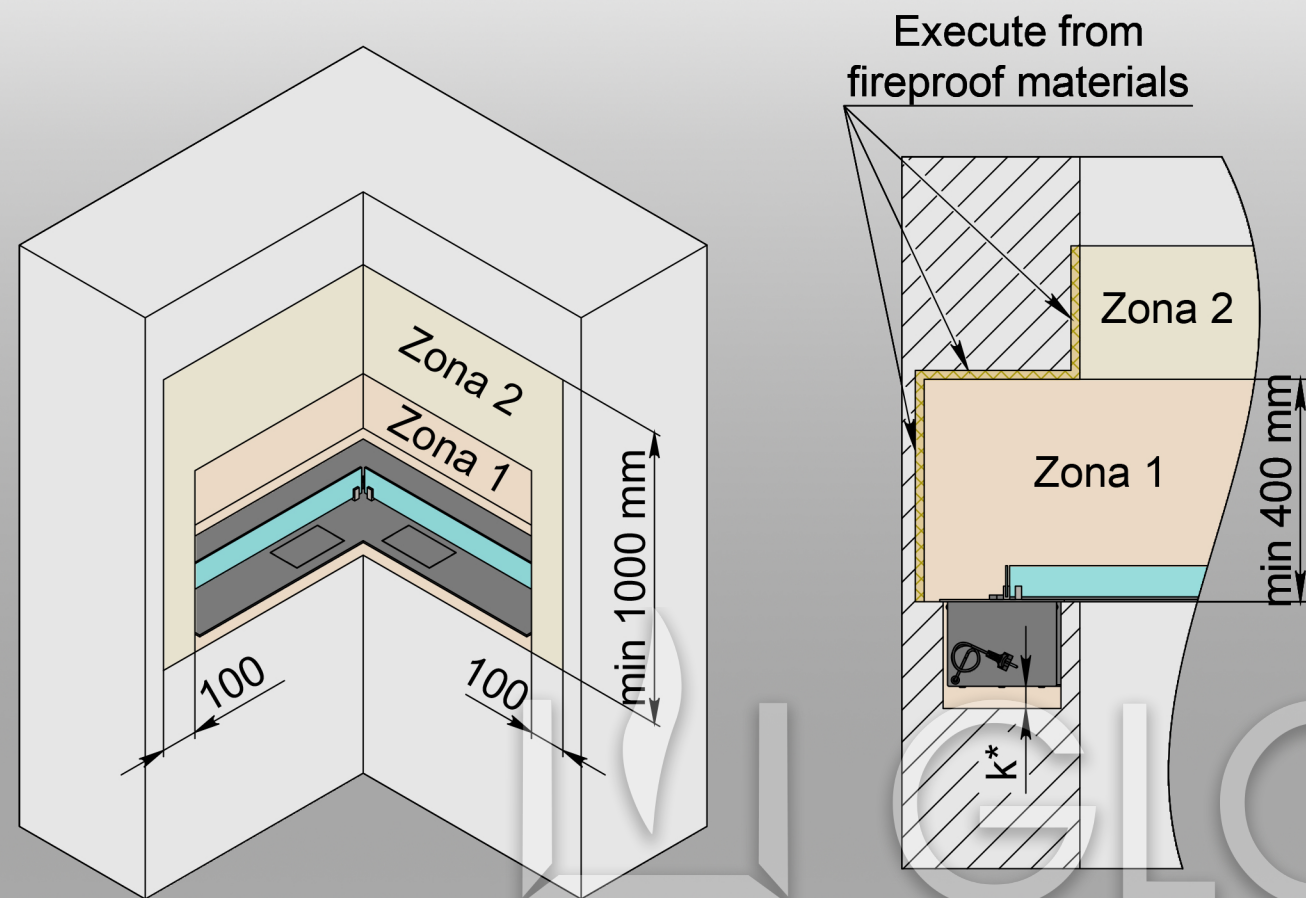


# INSTALLING AN AUTOMATIC BIO-FIREPLACE DALEX CORNER-ART.03

## VARIANT 1

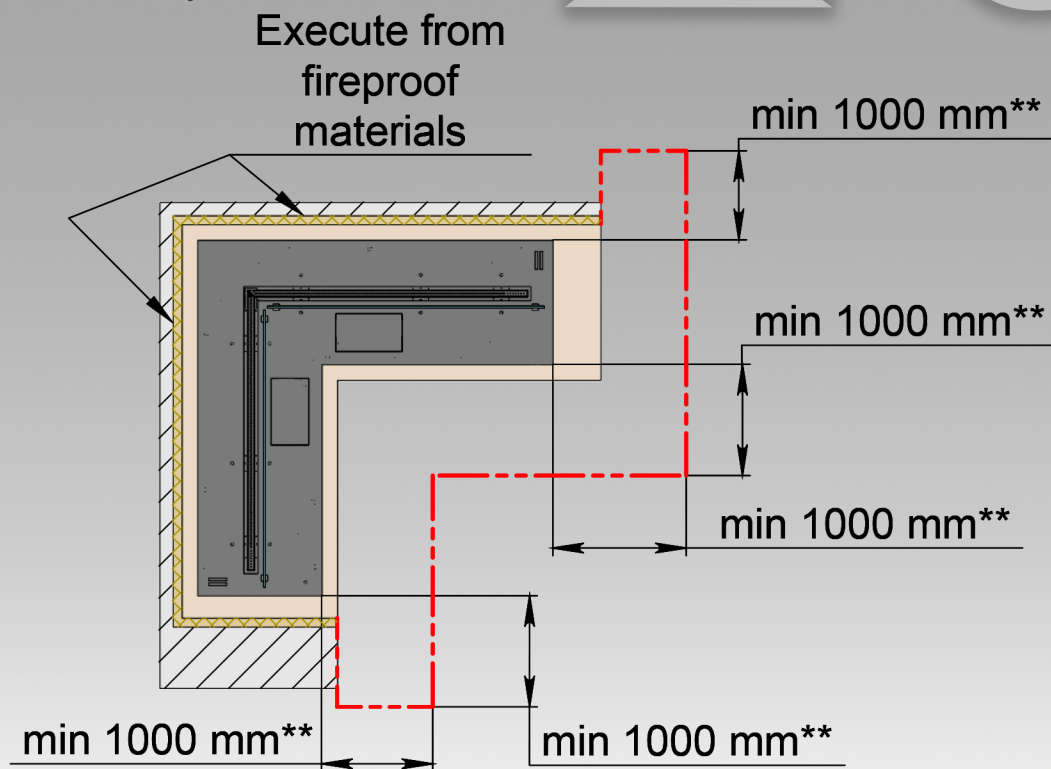
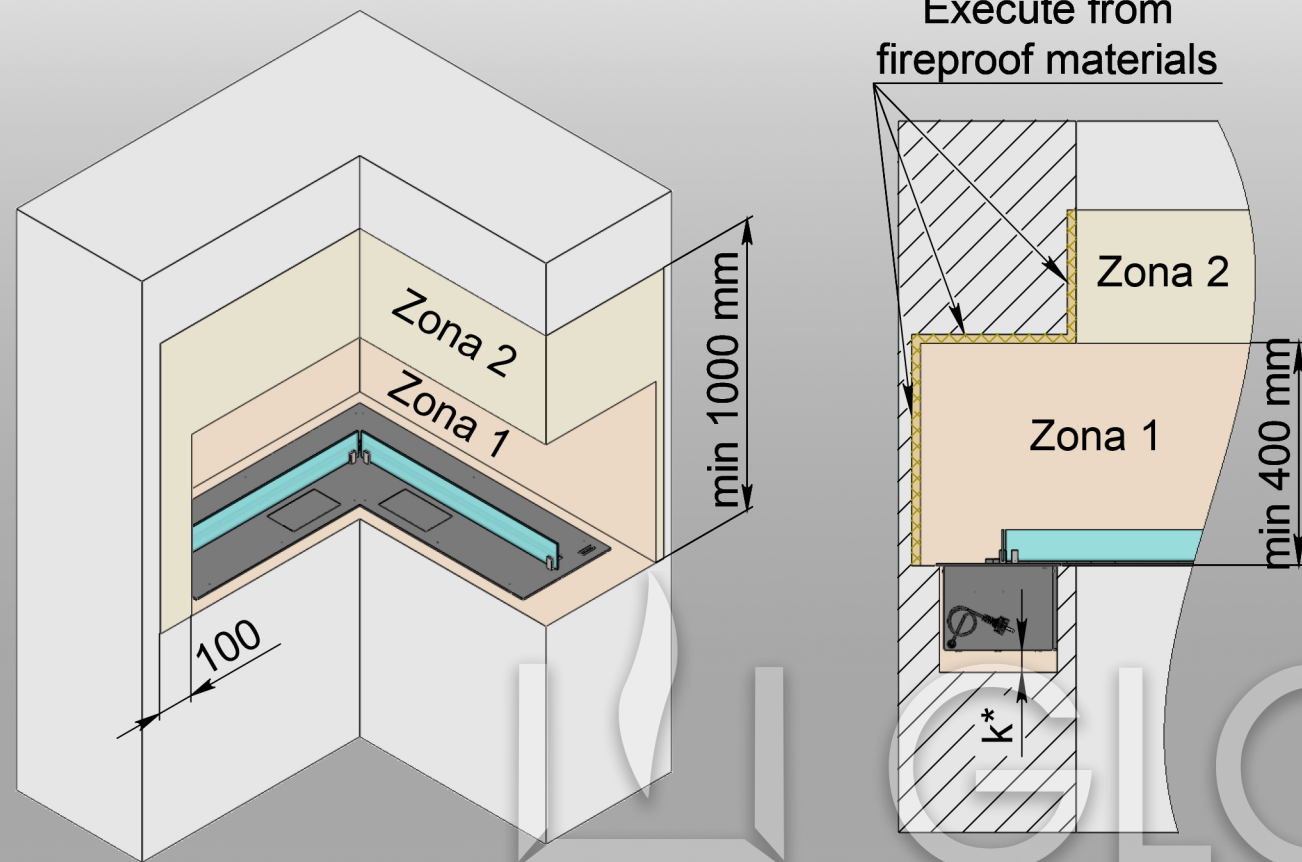
## VARIANT 2



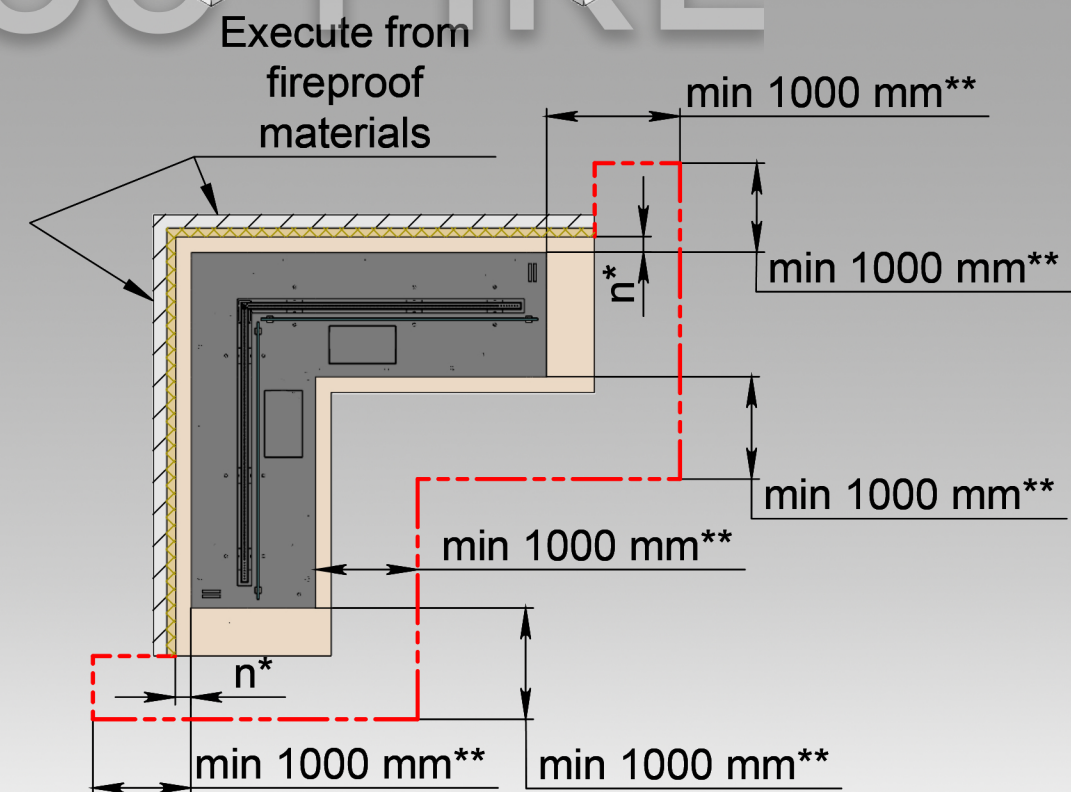
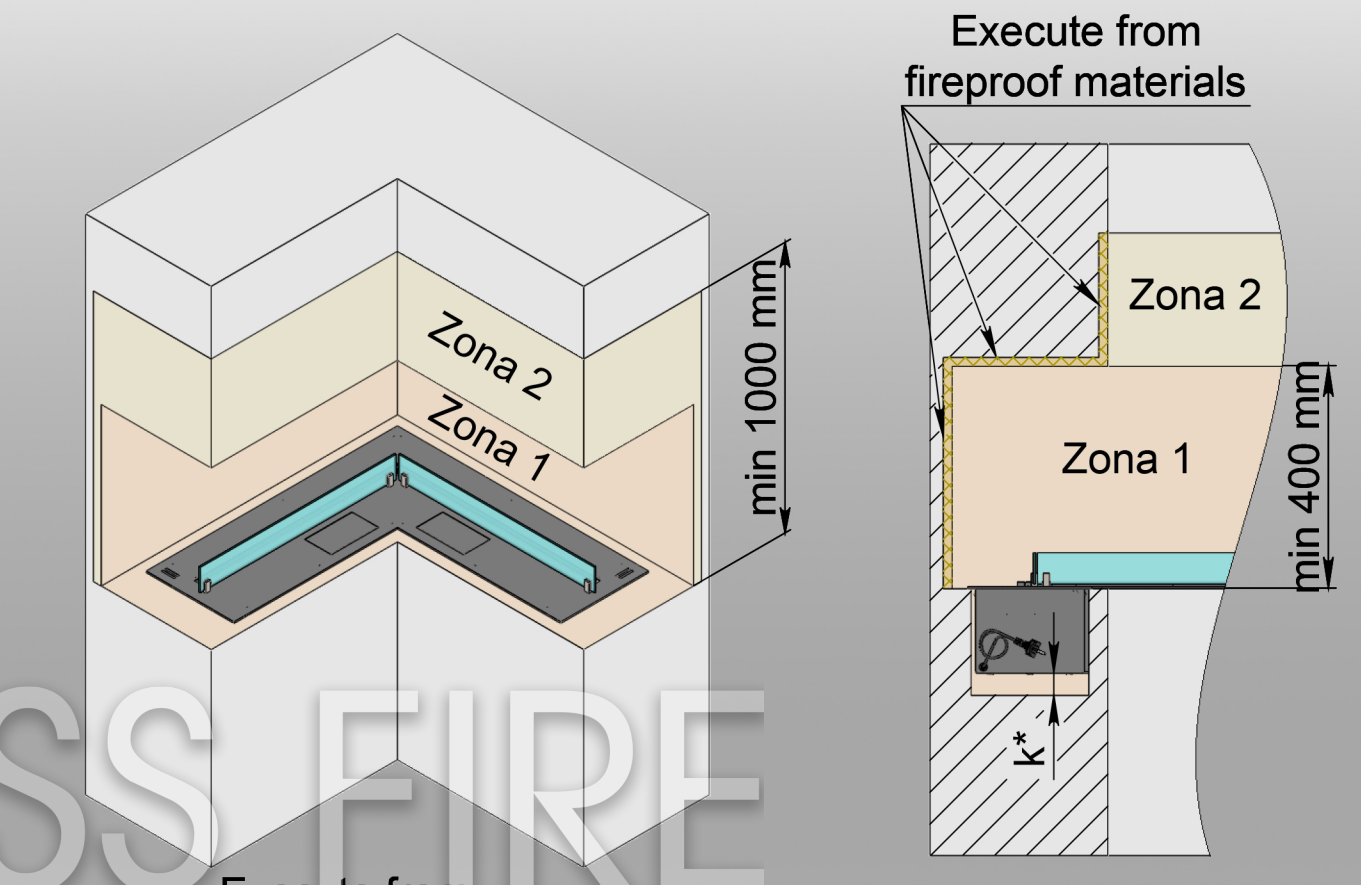
$m^*$ ,  $n^*$  - not less than 50 mm.  $k^*$  - not less than 100 mm. \*\*Minimum distance from the edge of the bio-fireplace to the nearest flammable object.  
**Important!** Zone 1 must be made of fireproof materials. Zone 2 must withstand temperatures up to 80°C.  
 Installing glass on a biofireplace is mandatory. Electrical connection - Euro socket Min. 3x1.5 mm<sup>2</sup>, 230 V, 50 Hz, PE ⊕

# INSTALLING AN AUTOMATIC BIO-FIREPLACE DALEX CORNER-ART.03

## VARIANT 3



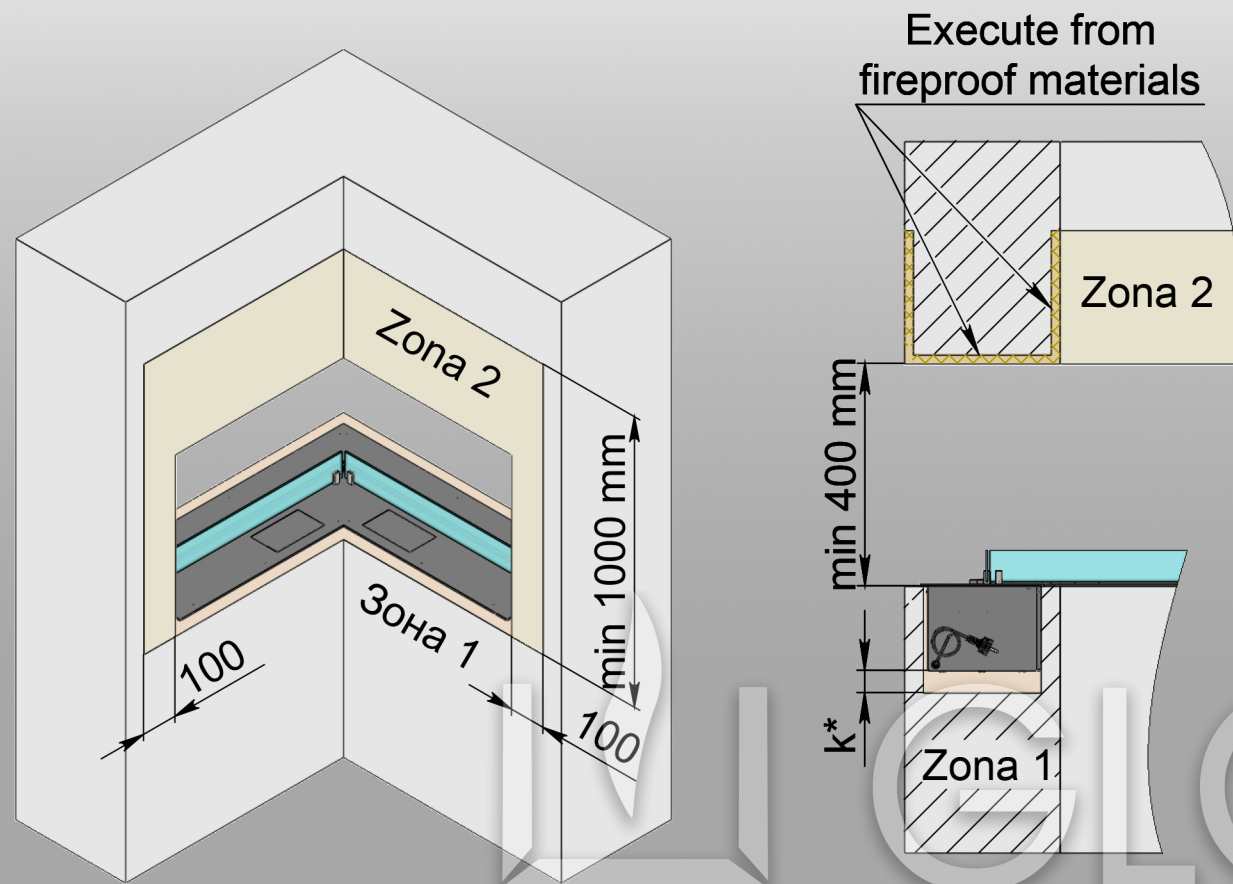
## VARIANT 4



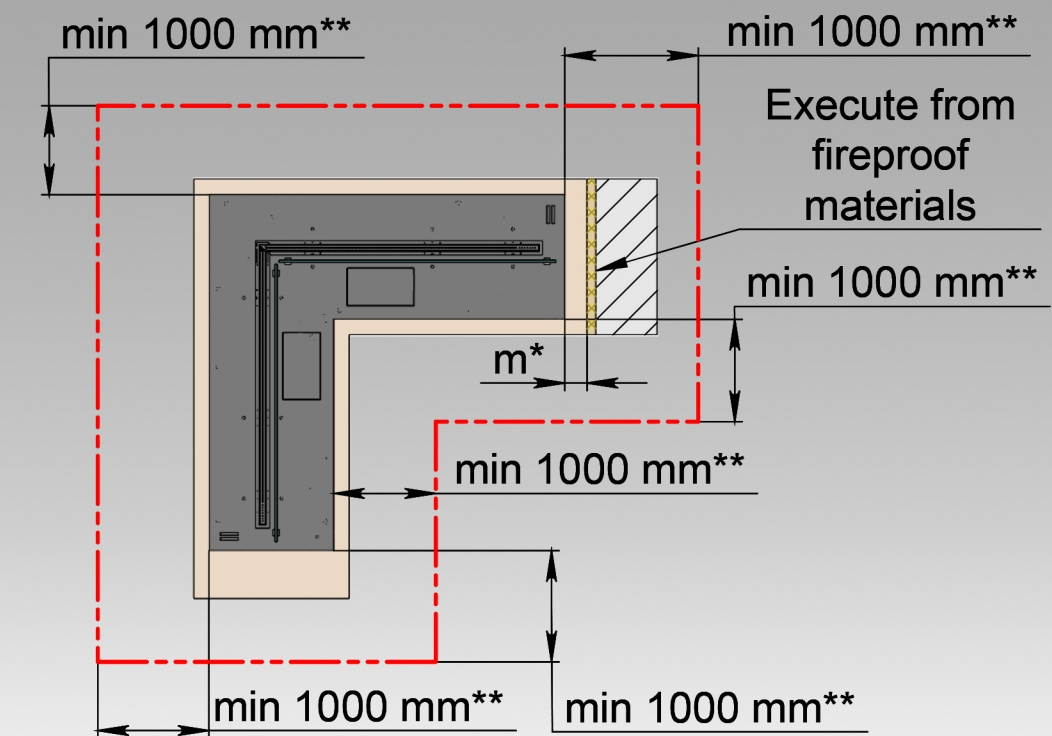
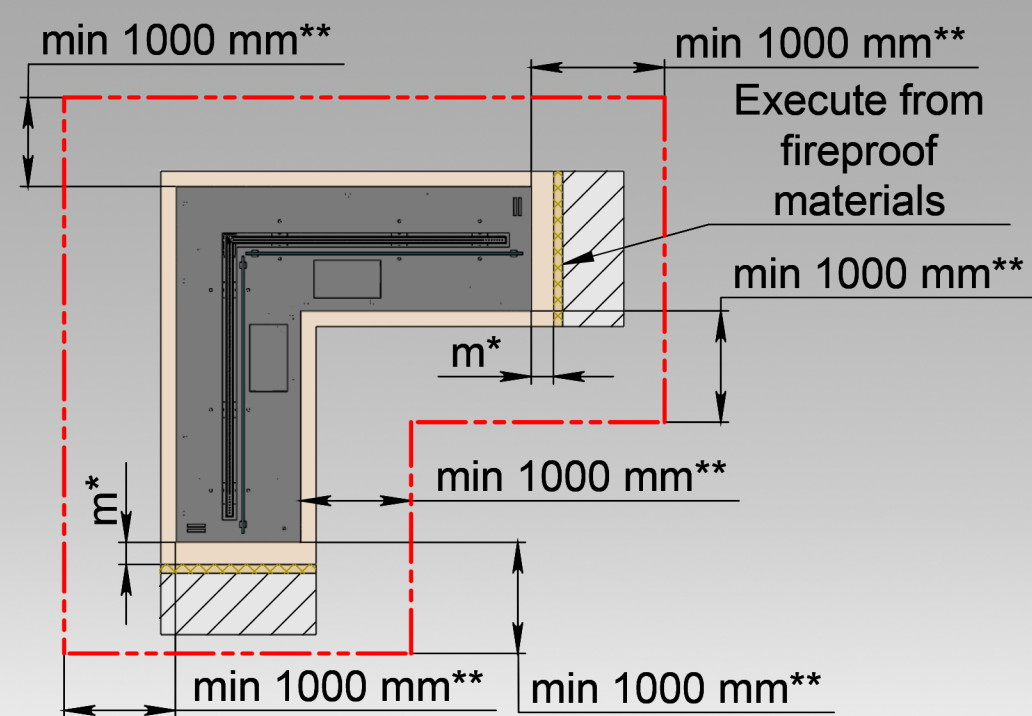
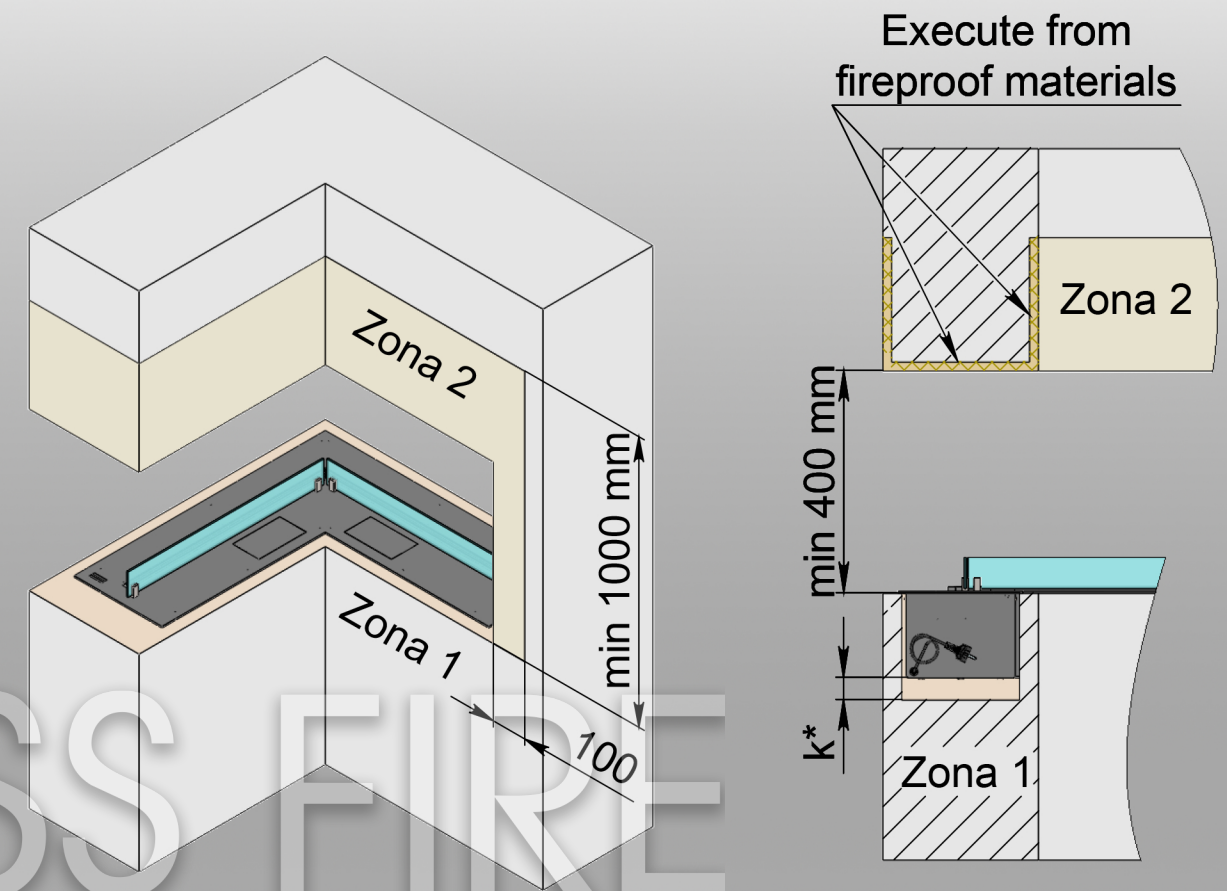
$m^*$ ,  $n^*$  - not less than 50 mm.  $k^*$  - not less than 100 mm. \*\*Minimum distance from the edge of the bio-fireplace to the nearest flammable object.  
**Important!** Zone 1 must be made of fireproof materials. Zone 2 must withstand temperatures up to 80°C..  
 Installing glass on a biofireplace is mandatory. Electrical connection - Euro socket Min. 3x1.5 mm<sup>2</sup>, 230 V, 50 Hz, PE ⊕

# INSTALLING AN AUTOMATIC BIO-FIREPLACE DALEX CORNER-ART.03

## VARIANT 5



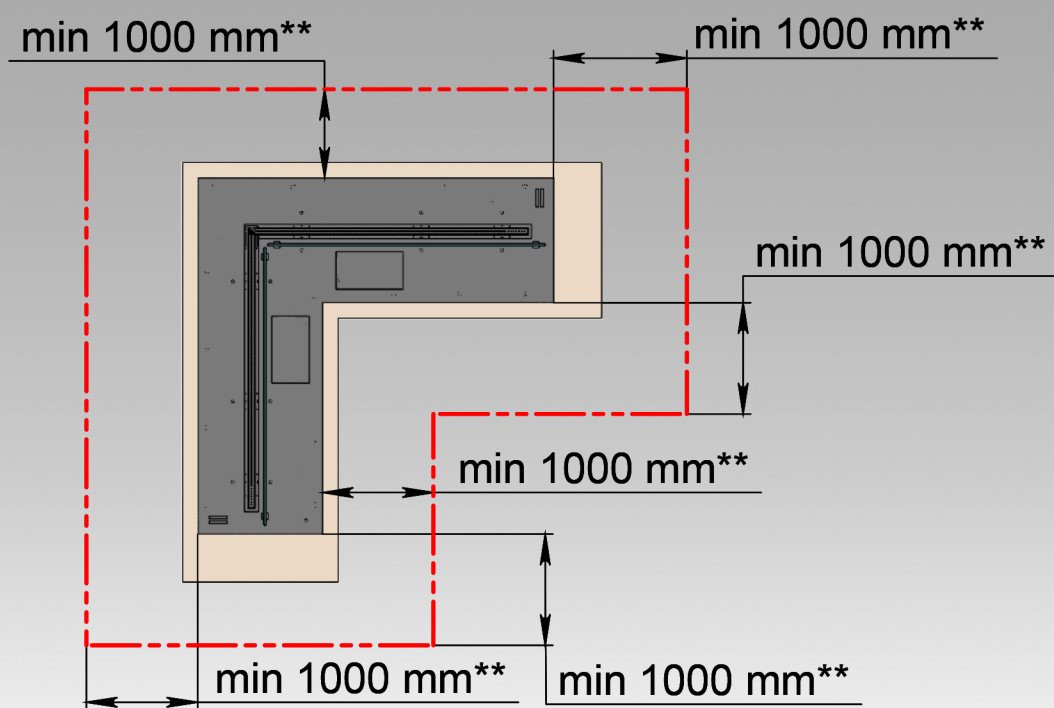
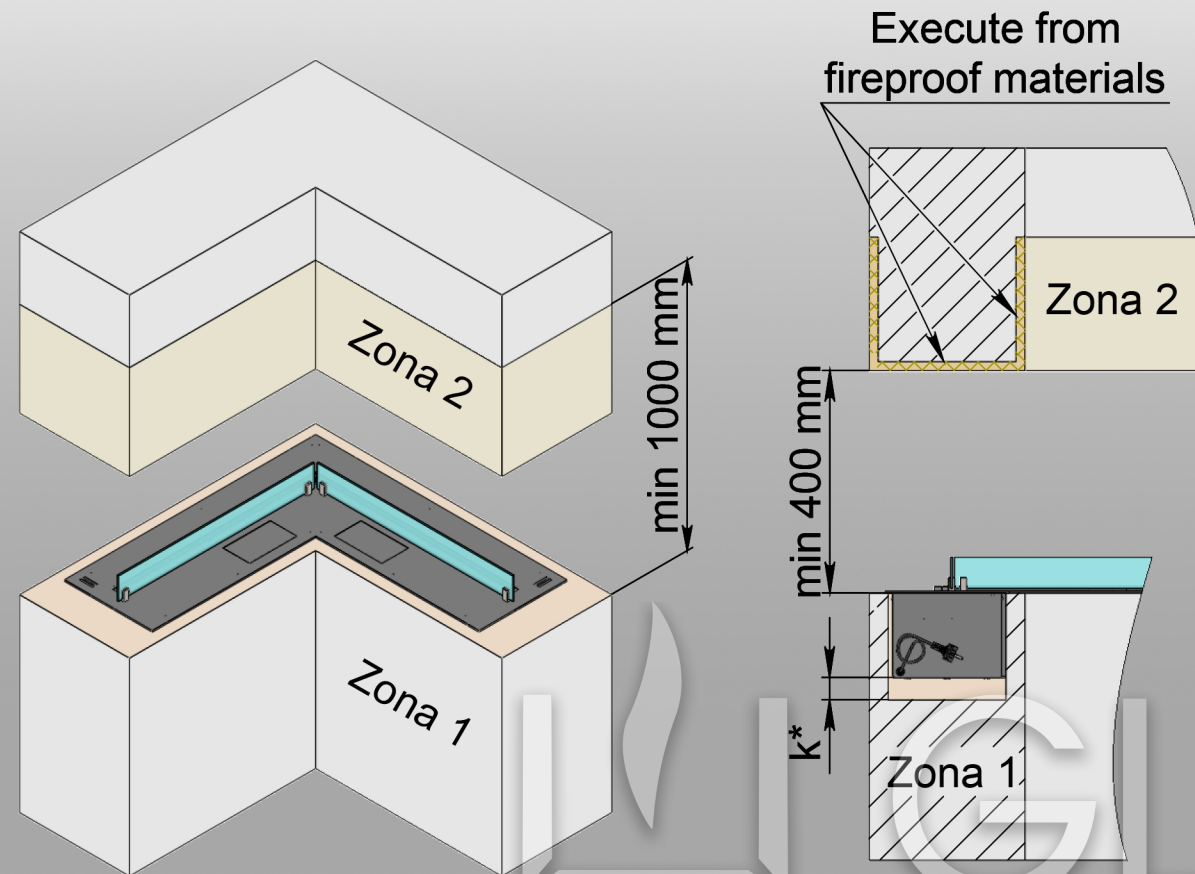
## VARIANT 6



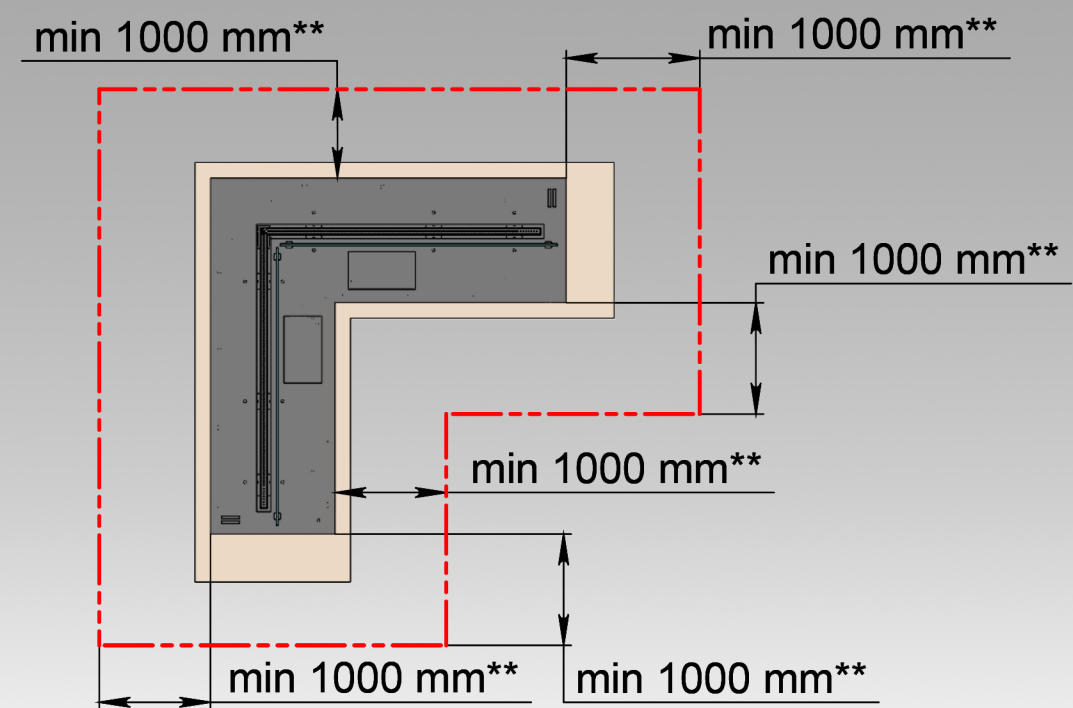
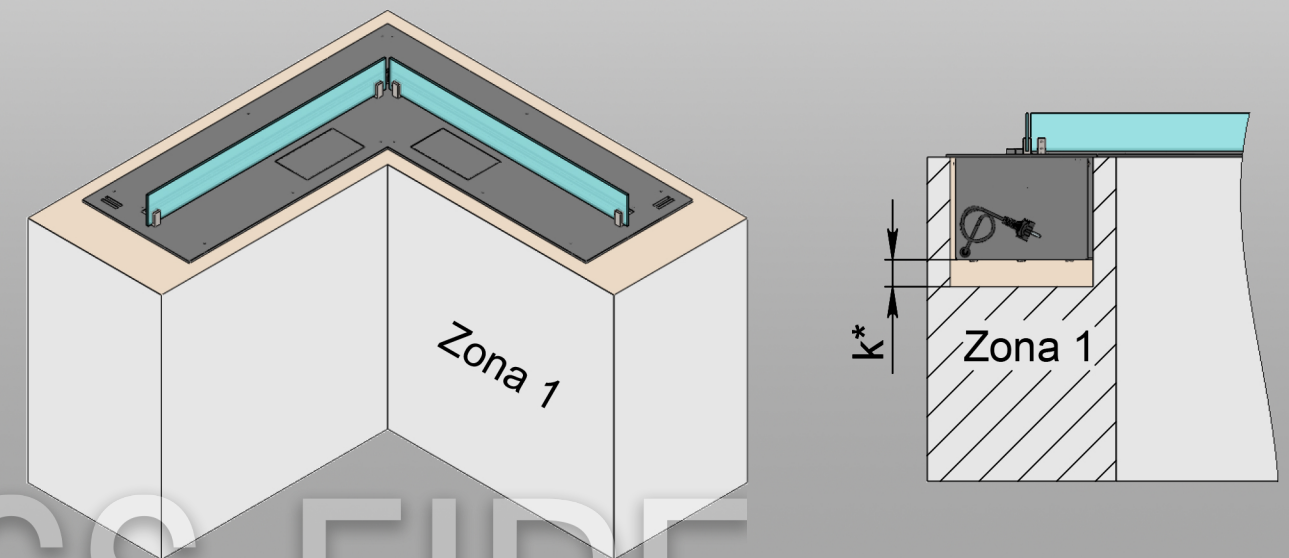
m\*, n\* - not less than 50 mm. k\* - not less than 100 mm. \*\*Minimum distance from the edge of the bio-fireplace to the nearest flammable object.  
**Important!** Zone 1 must be made of fireproof materials. Zone 2 must withstand temperatures up to 80°C..  
 Installing glass on a biofireplace is mandatory. Electrical connection - Euro socket Min. 3x1.5 mm<sup>2</sup>, 230 V, 50 Hz, PE ⊕

# INSTALLING AN AUTOMATIC BIO-FIREPLACE DALEX CORNER-ART.03

## VARIANT 7



## VARIANT 8



m\*, n\* - not less than 50 mm. k\* - not less than 100 mm. \*\*Minimum distance from the edge of the bio-fireplace to the nearest flammable object.  
**Important!** Zone 1 must be made of fireproof materials. Zone 2 must withstand temperatures up to 80°C..  
 Installing glass on a biofireplace is mandatory. Electrical connection - Euro socket Min. 3x1.5 mm<sup>2</sup>, 230 V, 50 Hz, PE ⊕