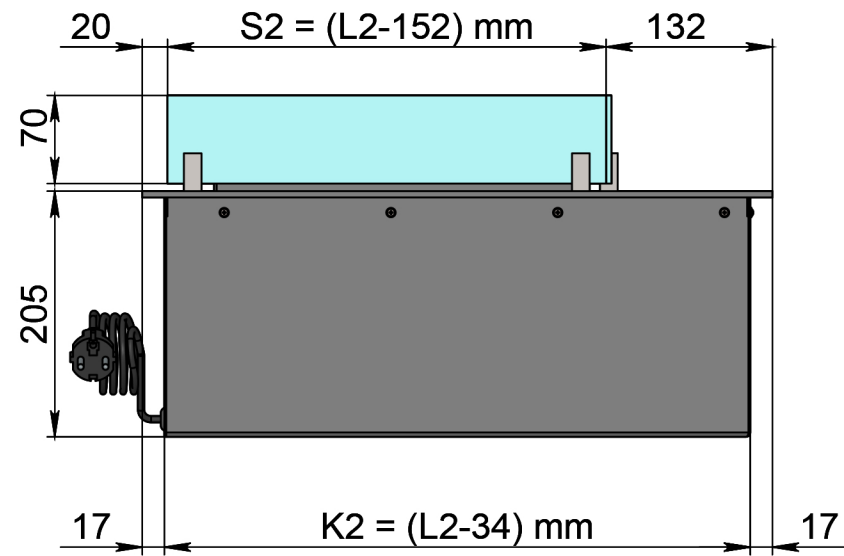
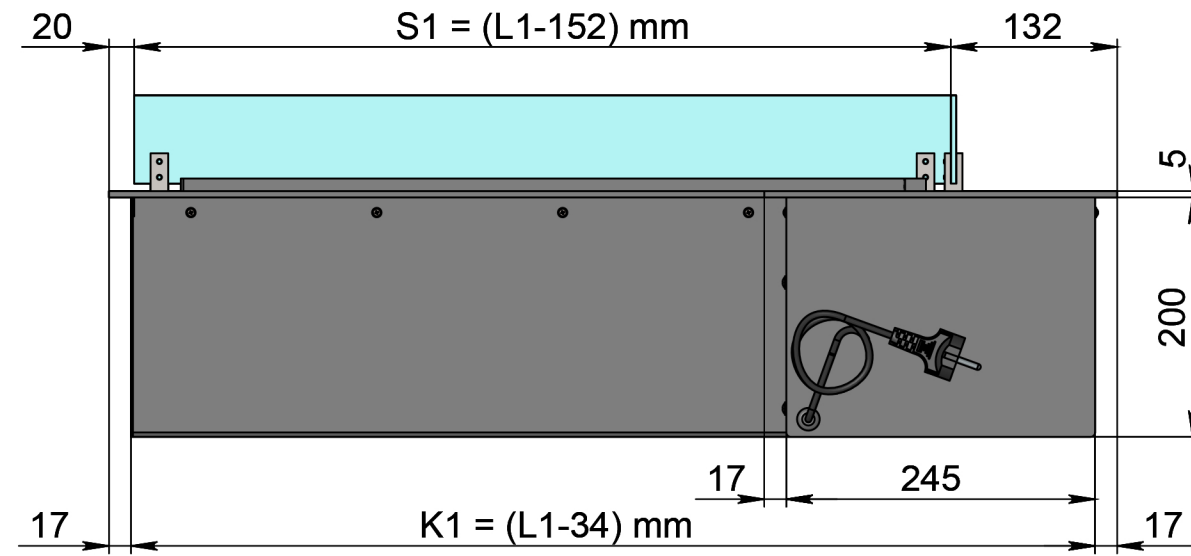


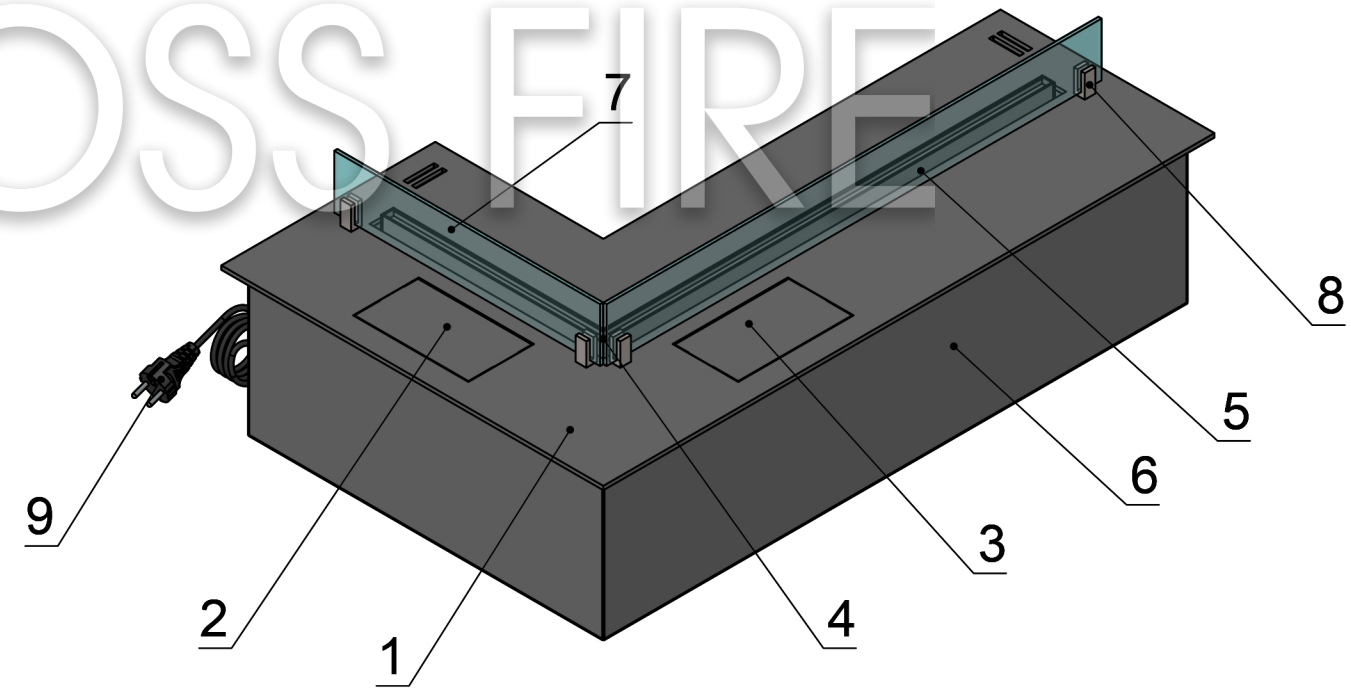
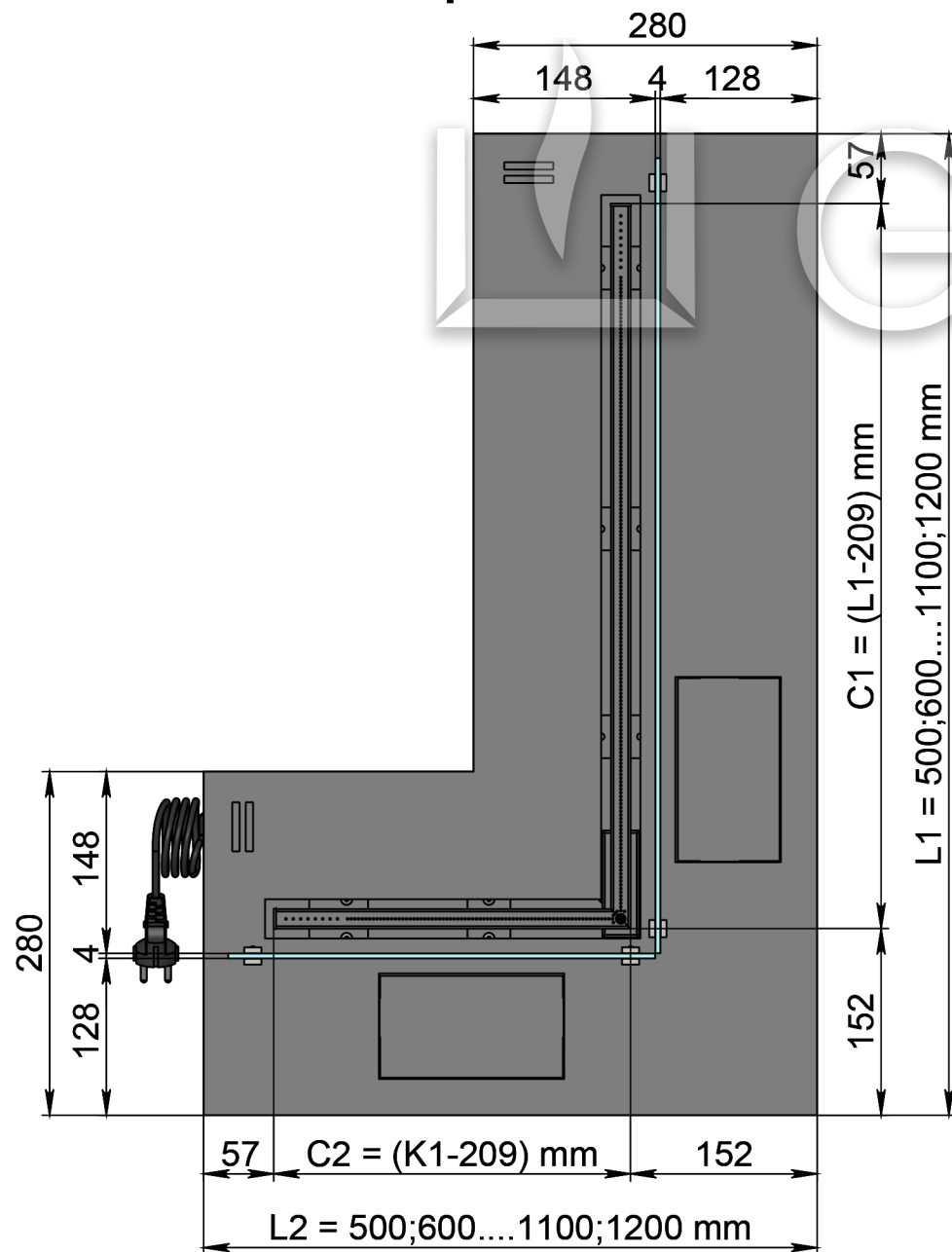
Front view



Side view



Top view



- 1. Front panel.
- 2. Control panel hatch.
- 3. Fuel tank filling hatch.
- 4. Arsonist.
- 5. Nozzle (line of fire).

- 6. Protective metal case.
- 7. Protective heat-resistant glass.
- 8. Glass holder.
- 9. Cable/connector for connecting to the electrical network.

- L1;L2 - Front panel (dimension);
- C1;C2 - Nozzle (line of fire);

- S1;S2 - Glass;
- K1;K2 - Corps.