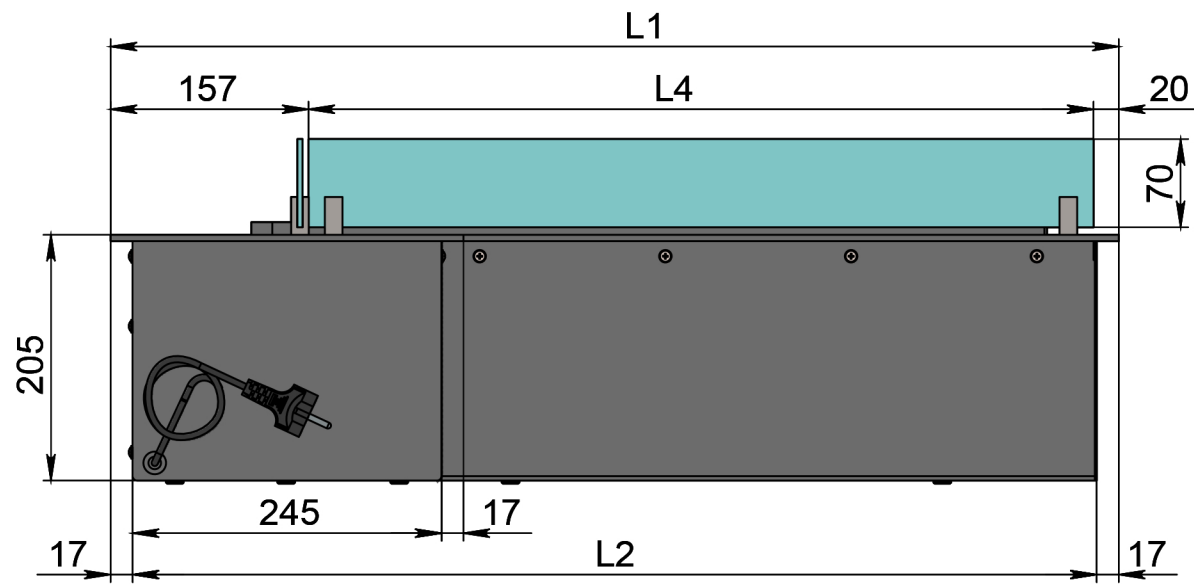
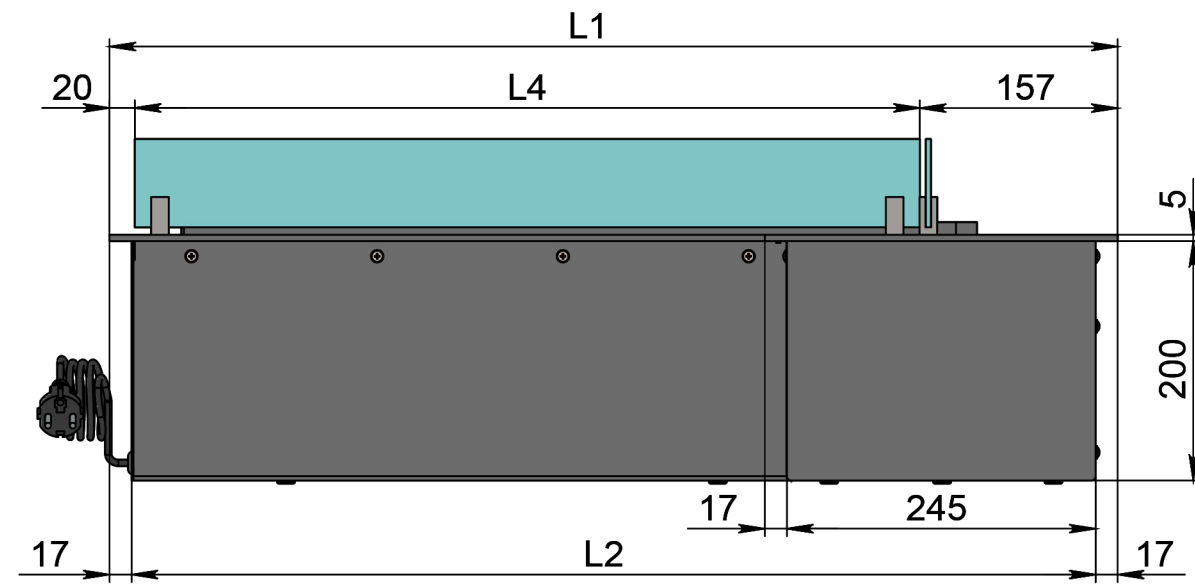


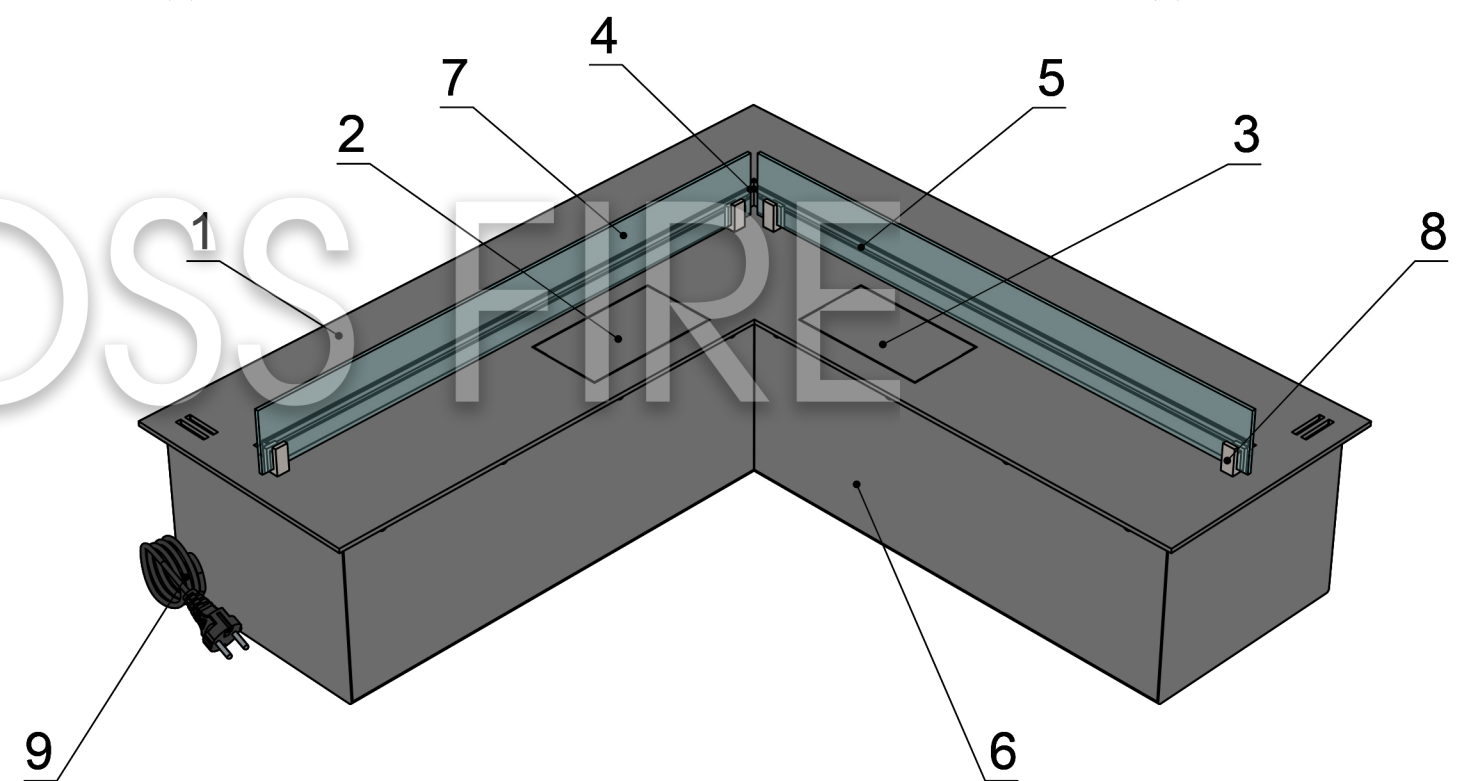
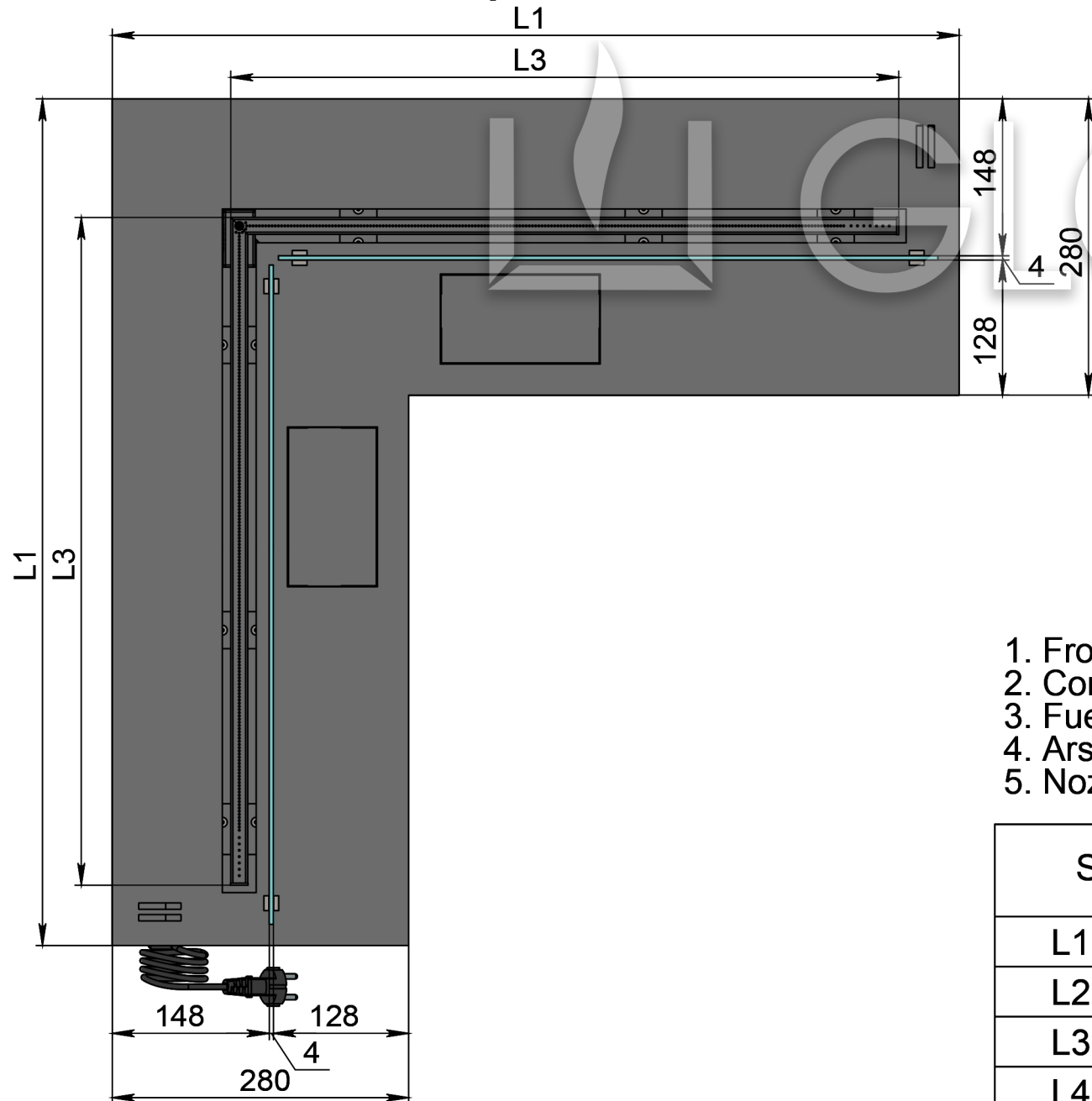
Front view



Side view



Top view



- 1. Front panel.
- 2. Control panel hatch.
- 3. Fuel tank filling hatch.
- 4. Arsonist.
- 5. Nozzle (line of fire).

- 6. Protective metal case.
- 7. Protective heat-resistant glass.
- 8. Glass holder.
- 9. Cable/connector for connecting to the electrical network.

Size	Automatic bio fireplace model Dalex corner-art.04						
	D600	D700	D800	D900	D1000	D1100	D1200
L1, mm	600	700	800	900	1000	1100	1200
L2, mm	565	665	765	865	965	1065	1165
L3, mm	430	530	630	730	830	930	1030
L4, mm	423	523	623	723	823	923	1023