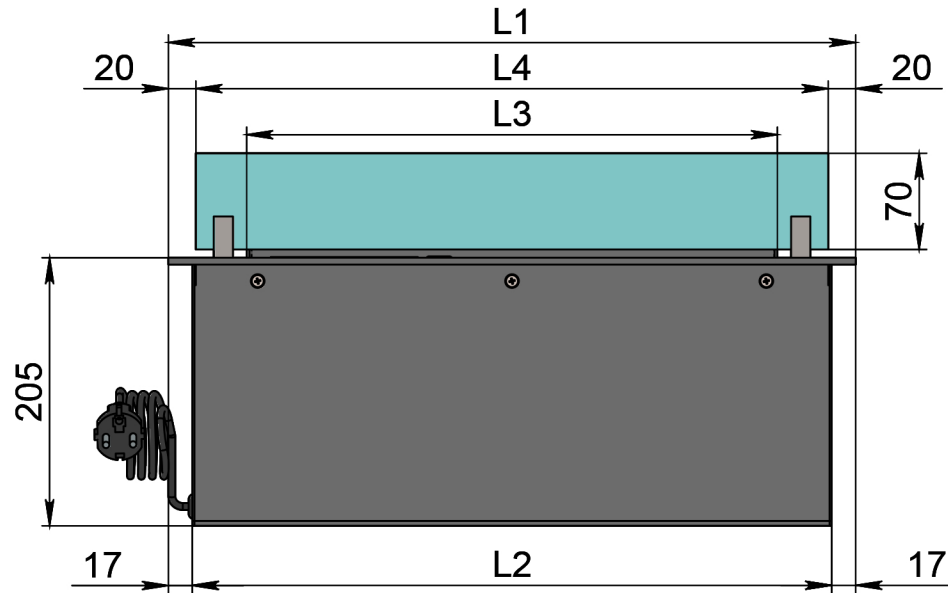
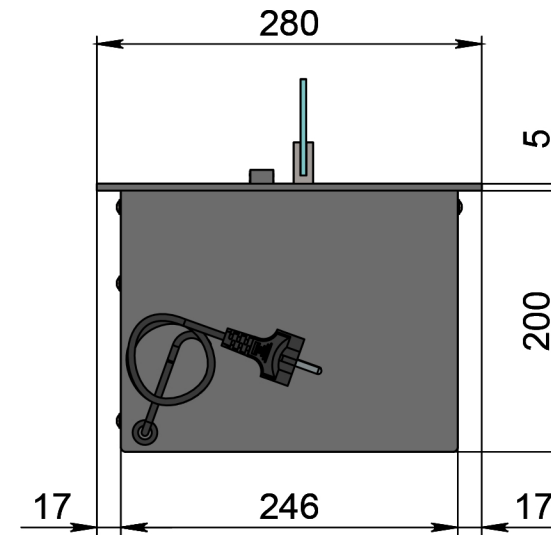


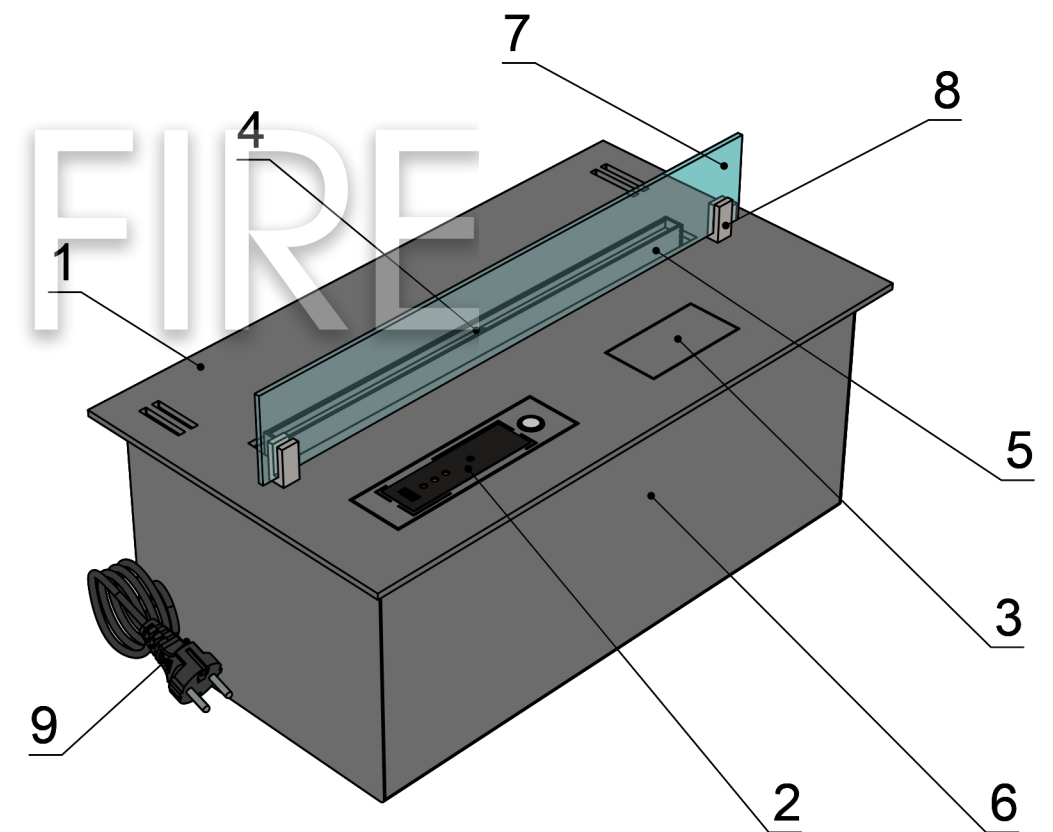
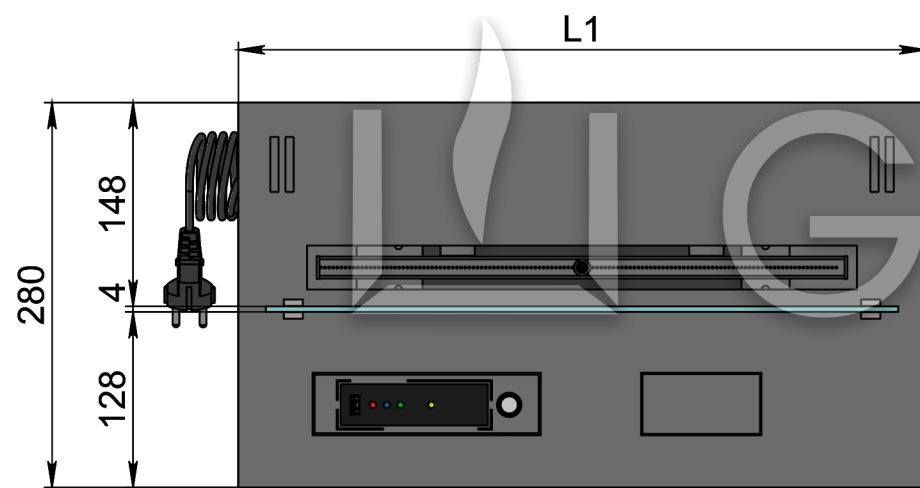
**Front view**



**Side view**



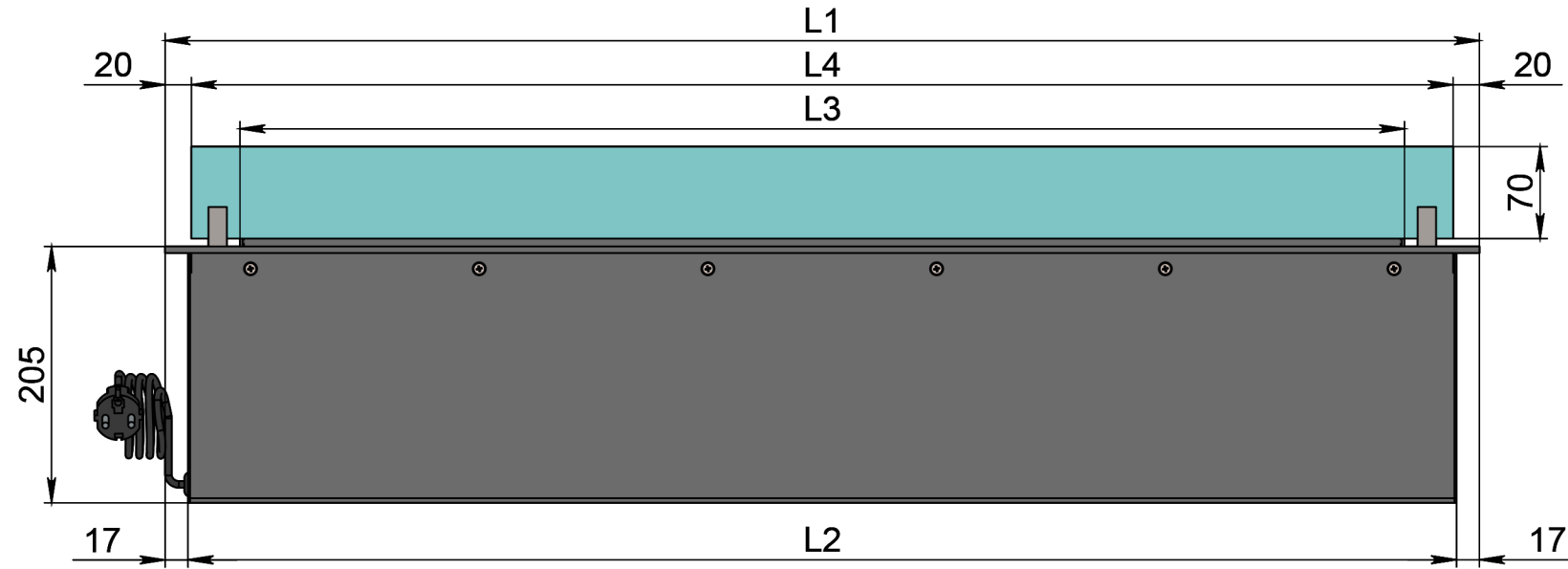
**Top view**



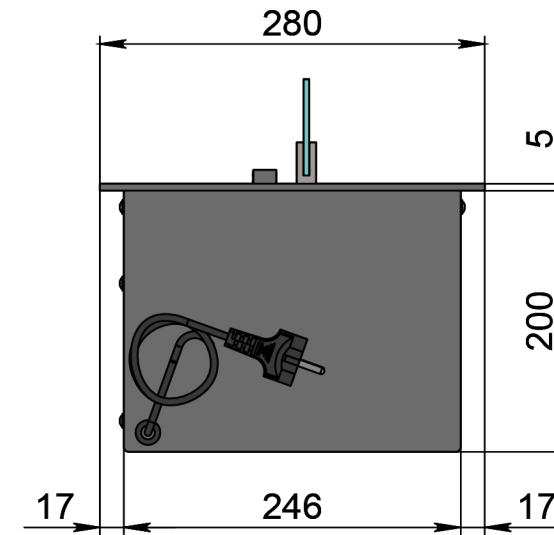
- 1. Front panel.
- 2. Control panel.
- 3. Fuel tank filling hatch.
- 4. Arsonist.
- 5. Nozzle (line of fire).
- 6. Protective metal case.
- 7. Protective heat-resistant glass.
- 8. Glass holder.
- 9. Cable/connector for connecting to the electrical network.

Size	Automatic bio fireplace model Dalex gold	
	D500	D600
L1, mm	500	600
L2, mm	465	565
L3, mm	400	500
L4, mm	460	560

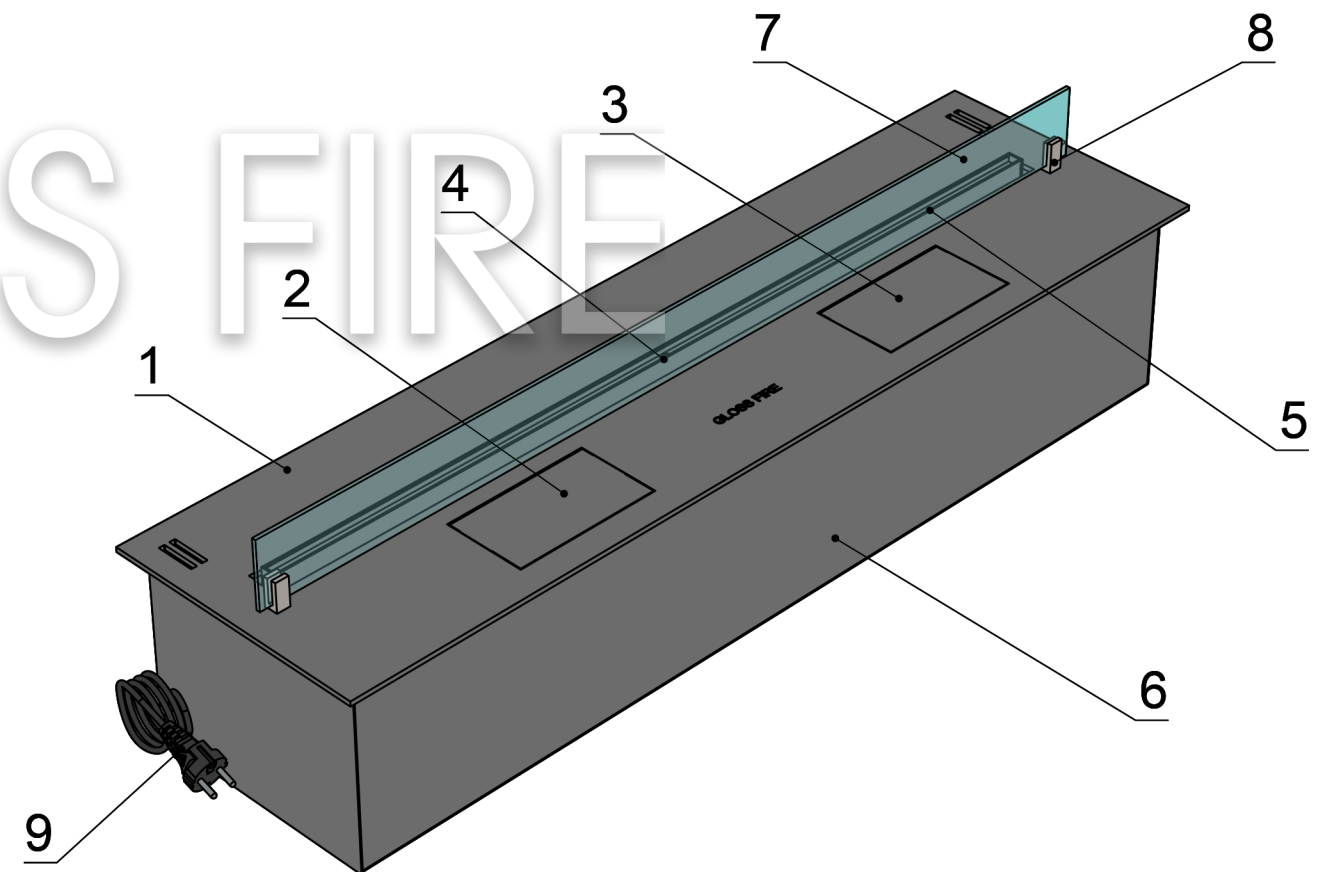
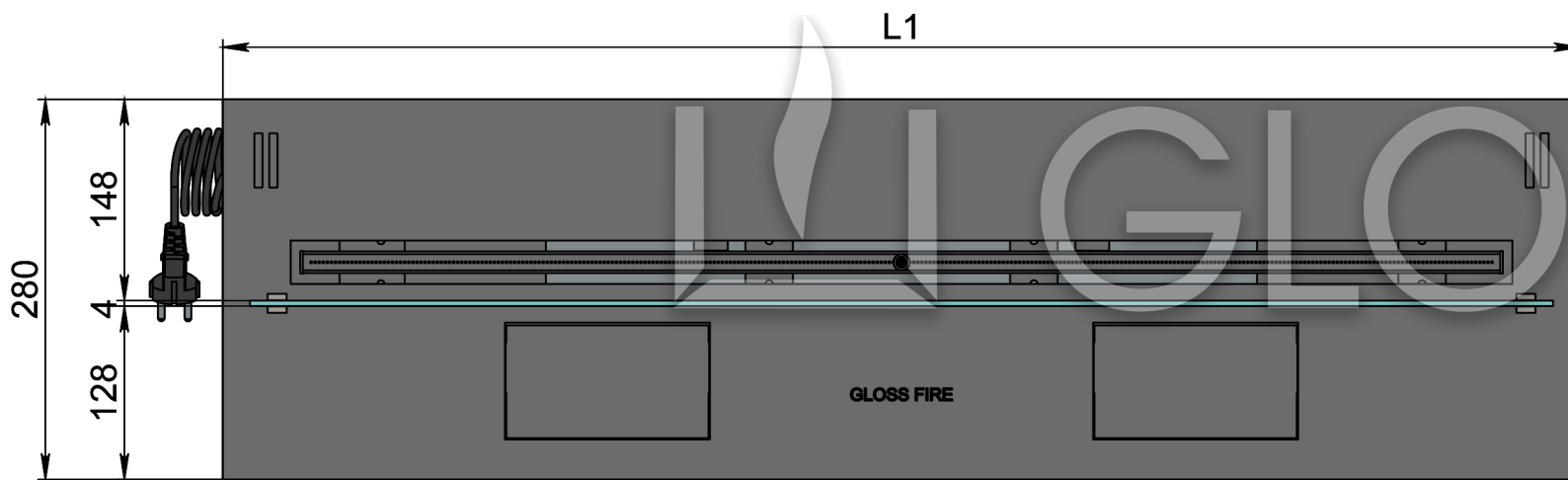
**Front view**



**Side view**



**Top view**

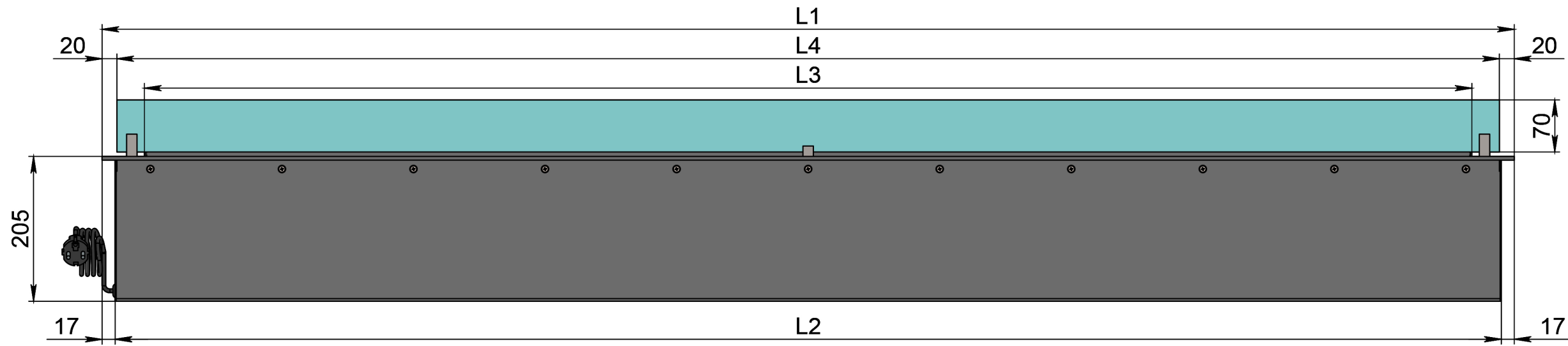


- 1. Front panel.
- 2. Control panel hatch.
- 3. Fuel tank filling hatch.
- 4. Arsonist.
- 5. Nozzle (line of fire).
- 6. Protective metal case.
- 7. Protective heat-resistant glass.
- 8. Glass holder.
- 9. Cable/connector for connecting to the electrical network.

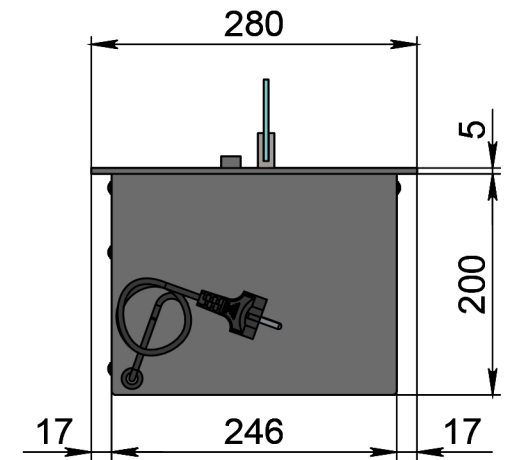
**Automatic bio fireplace model Dalex gold**

Size	Automatic bio fireplace model Dalex gold								
	D700	D800	D900	D1000	D1100	D1200	D1300	D1400	D1500
L1, mm	700	800	900	1000	1100	1200	1300	1400	1500
L2, mm	665	765	865	965	1065	1165	1265	1365	1465
L3, mm	600	700	800	900	1000	1100	1200	1300	1400
L4, mm	660	760	860	960	1060	1160	1260	1360	1460

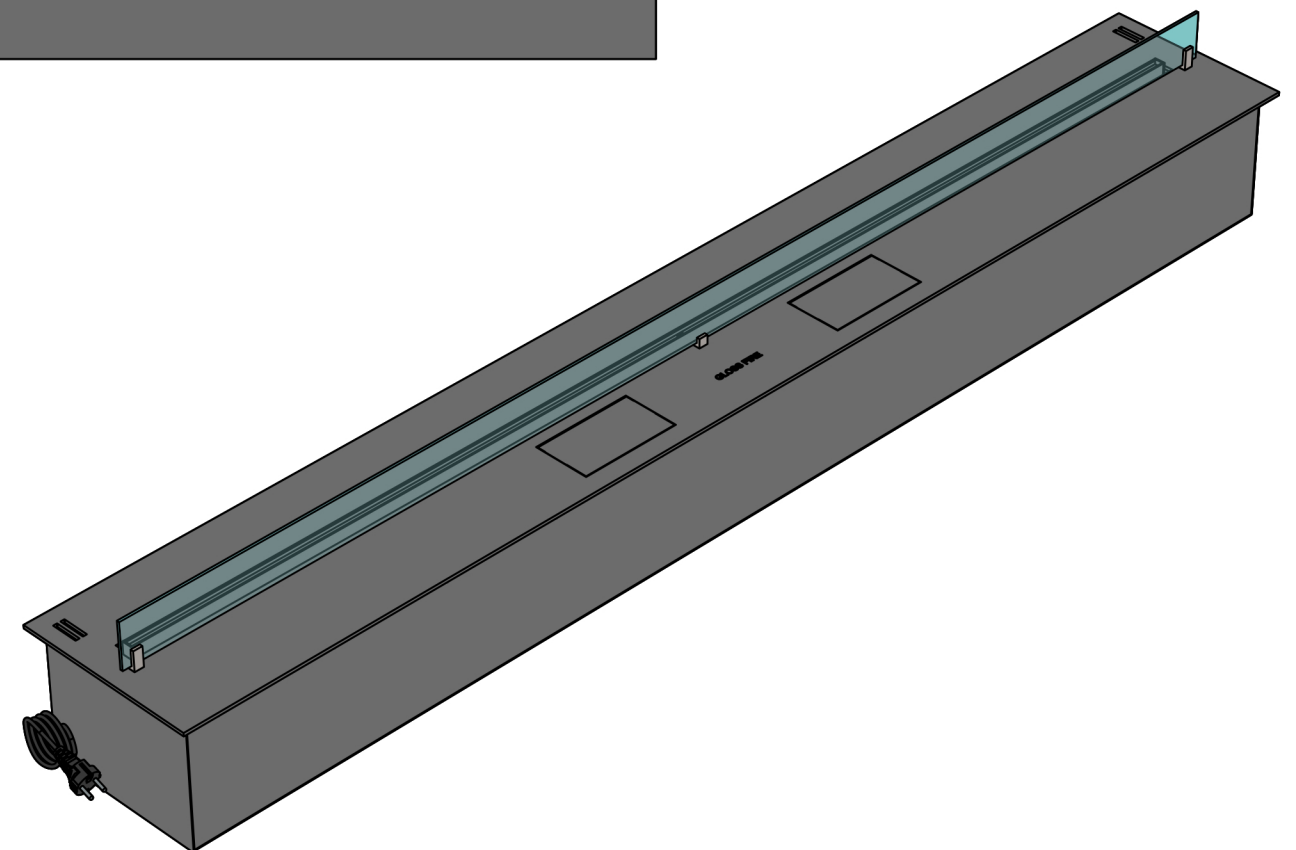
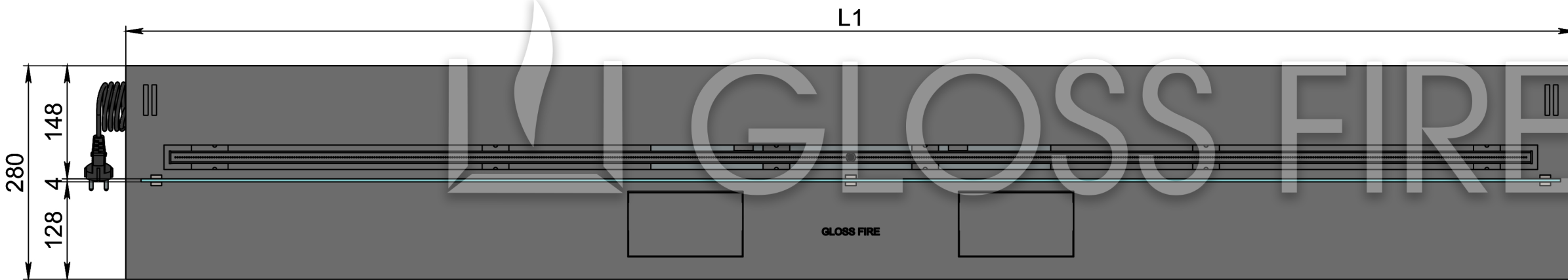
**Front view**



**Side view**



**Top view**



Size	Automatic bio fireplace model Dalex gold		
	D1600	D1700	D1800
L1, mm	1600	1700	1800
L2, mm	1565	1665	1765
L3, mm	1500	1600	1700
L4, mm	1560	1660	1760