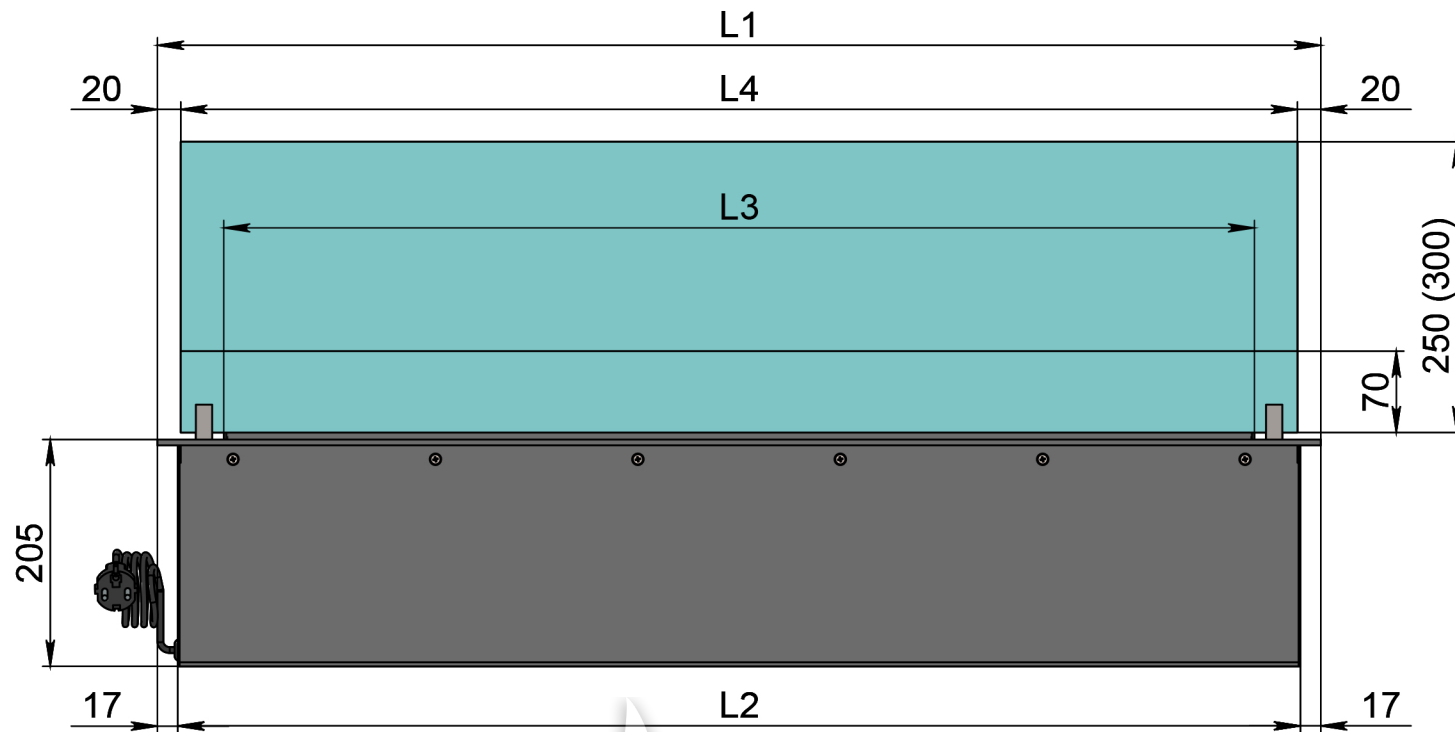


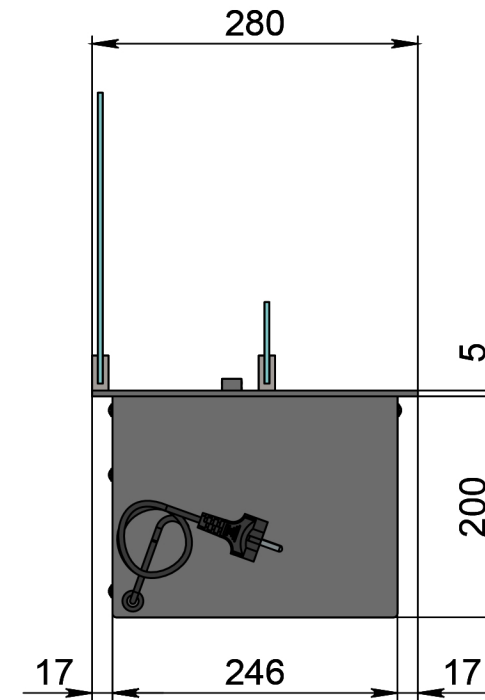
- 1. Front panel.
- 2. Control panel.
- 3. Fuel tank filling hatch.
- 4. Arsonist.
- 5. Nozzle (line of fire).
- 6. Protective metal case.
- 7. Protective heat-resistant glass.
- 8. Glass holder.
- 9. Cable/connector for connecting to the electrical network.

Size	Automatic bio fireplace model Dalex C2	
	D500	D600
L1, mm	500	600
L2, mm	465	565
L3, mm	400	500
L4, mm	460	560

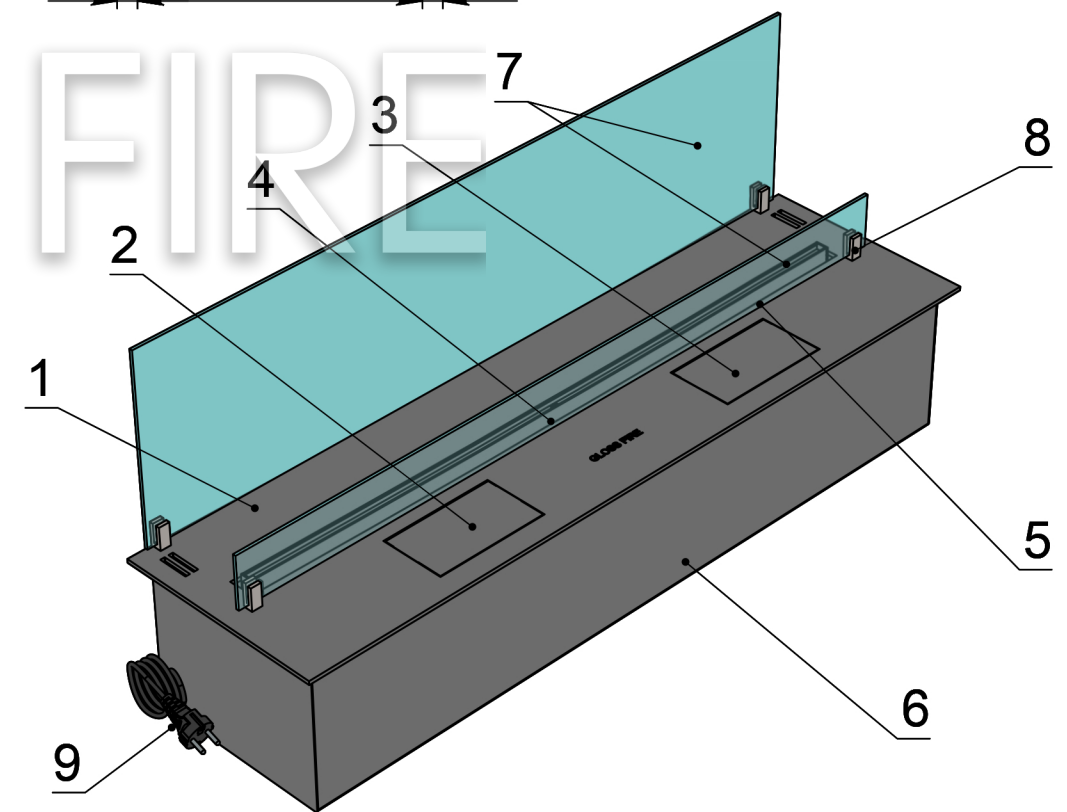
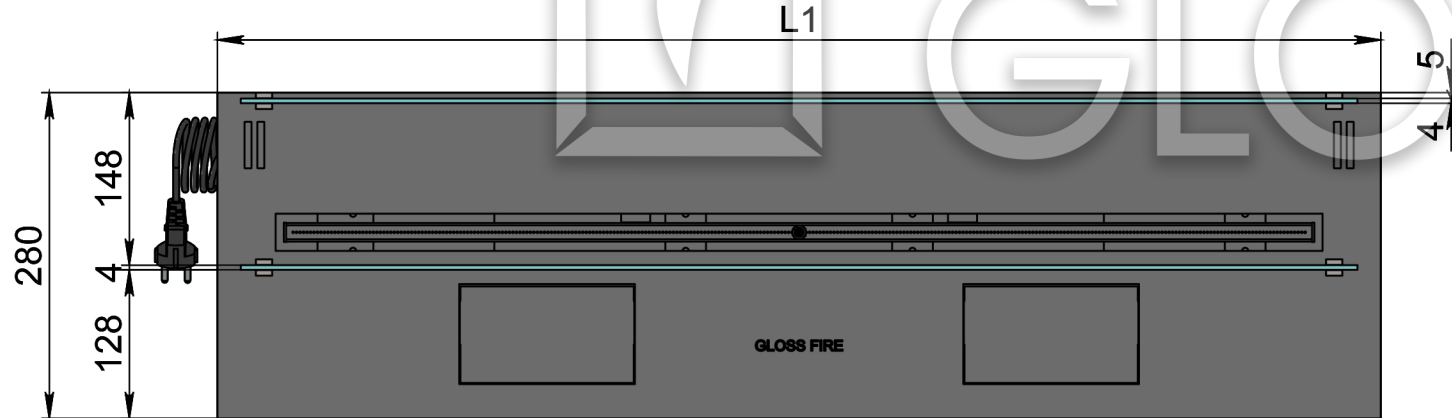
Front view



Side view



Top view



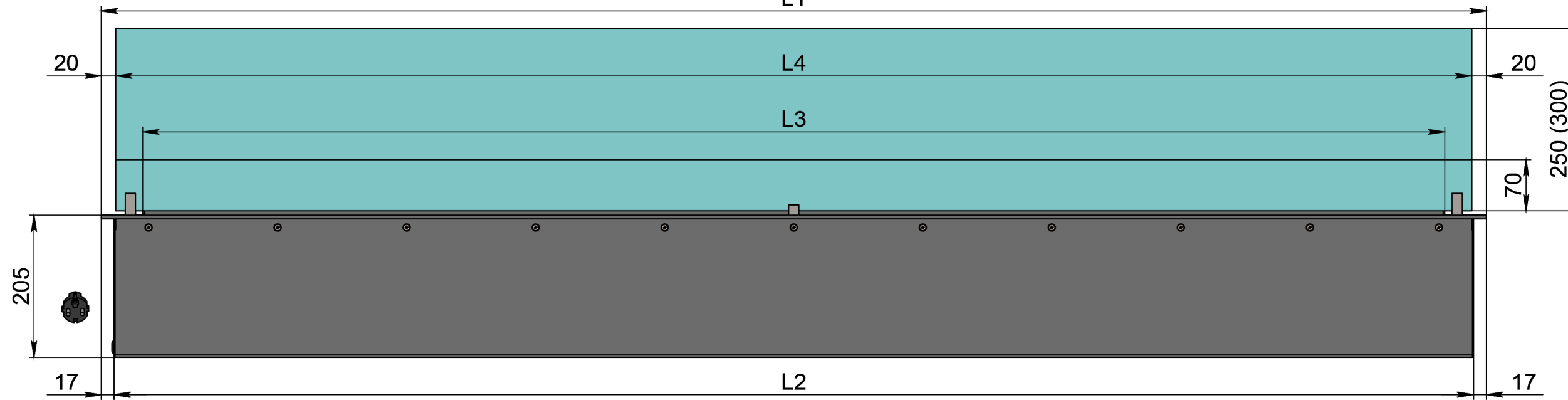
- 1. Front panel.
- 2. Control panel hatch.
- 3. Fuel tank filling hatch.
- 4. Arsonist.
- 5. Nozzle (line of fire).

- 6. Protective metal case.
- 7. Protective heat-resistant glass.
- 8. Glass holder.
- 9. Cable/connector for connecting to the electrical network.

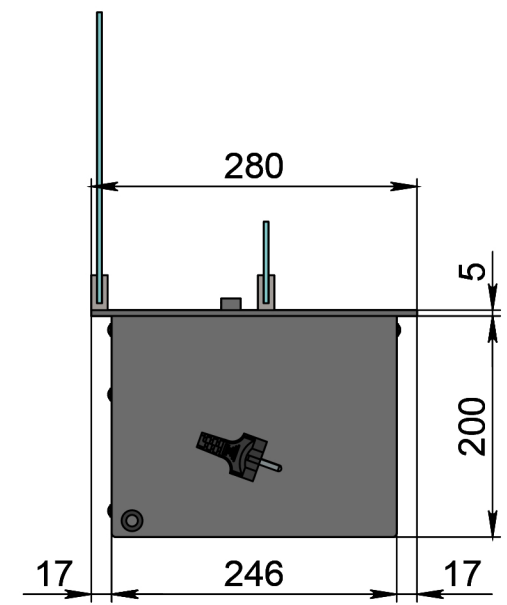
Automatic bio fireplace model Dalex C2

Size	Automatic bio fireplace model Dalex C2								
	D700	D800	D900	D1000	D1100	D1200	D1300	D1400	D1500
L1, mm	700	800	900	1000	1100	1200	1300	1400	1500
L2, mm	665	765	865	965	1065	1165	1265	1365	1465
L3, mm	600	700	800	900	1000	1100	1200	1300	1400
L4, mm	660	760	860	960	1060	1160	1260	1360	1460

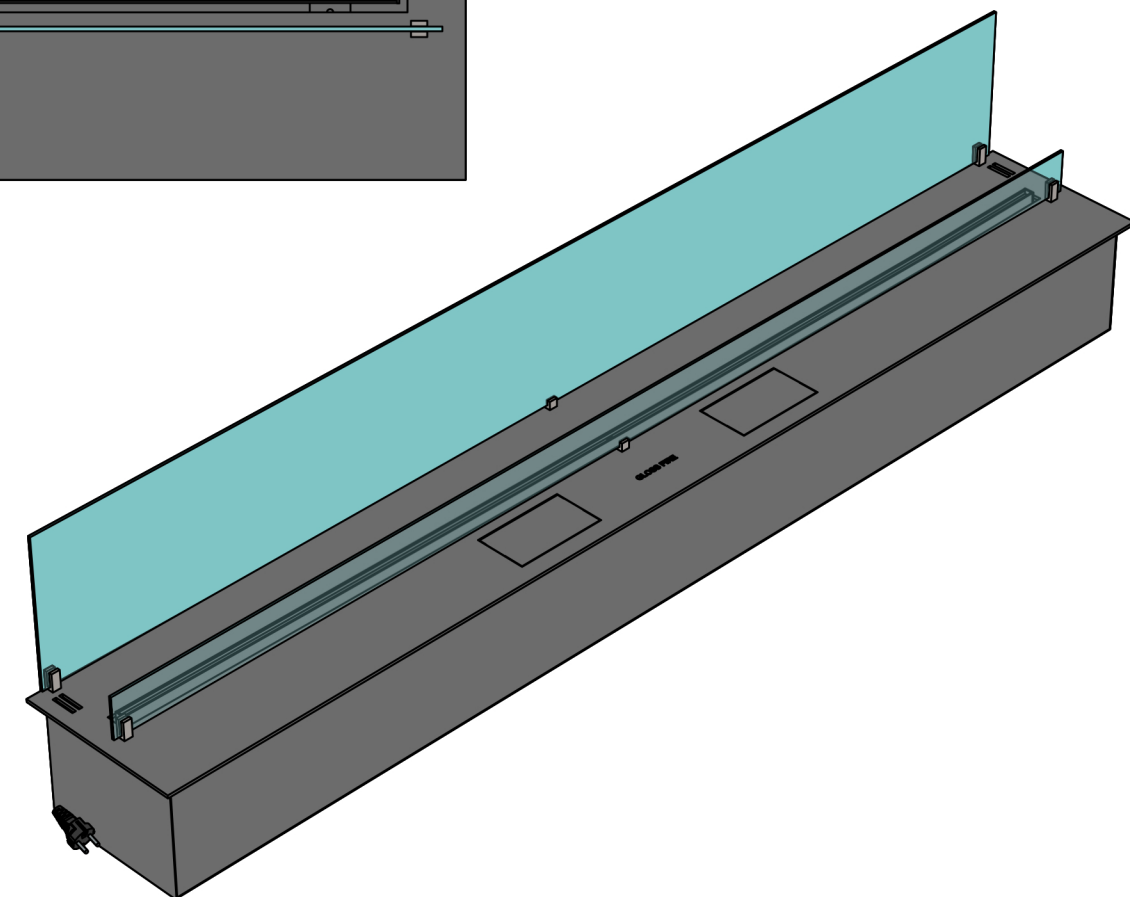
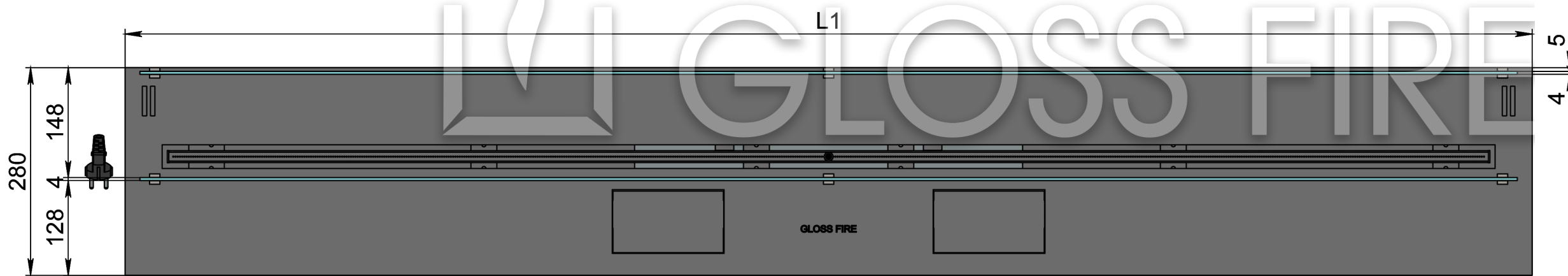
**Front view**  
L1



**Side view**

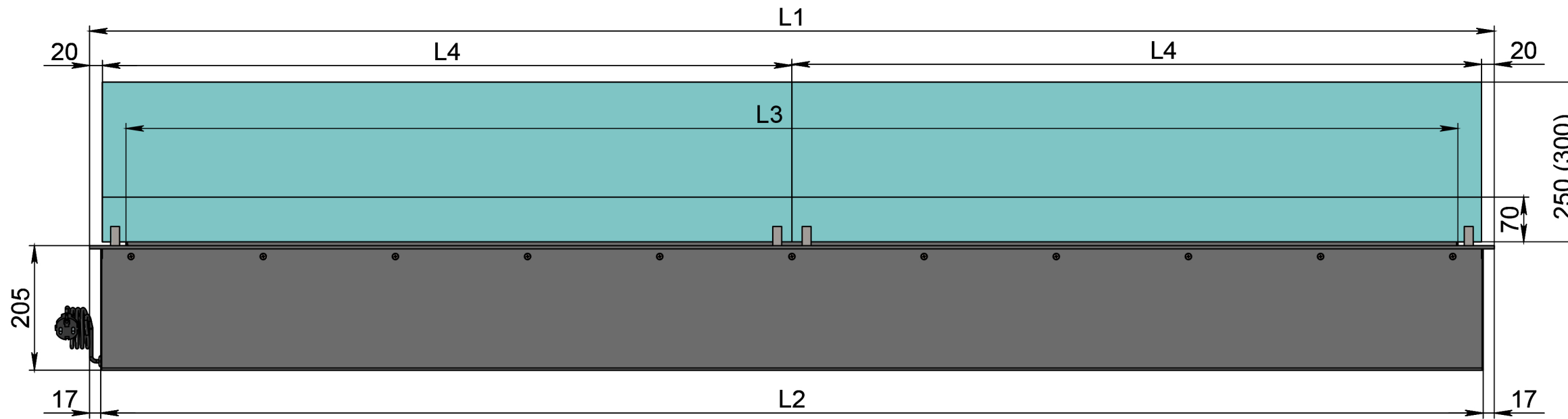


**Top view**  
L1

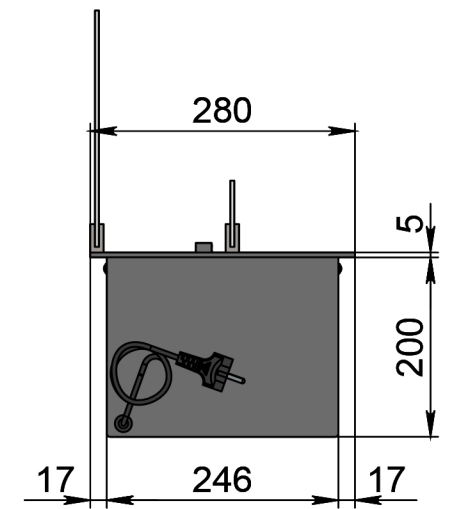


Size	Automatic bio fireplace model Dalex C2				
	D1600	D1700	D1800	D1900	D2000
L1, mm	1600	1700	1800	1900	2000
L2, mm	1565	1665	1765	1865	1965
L3, mm	1500	1600	1700	1800	1900
L4, mm	1560	1660	1760	1860	1960

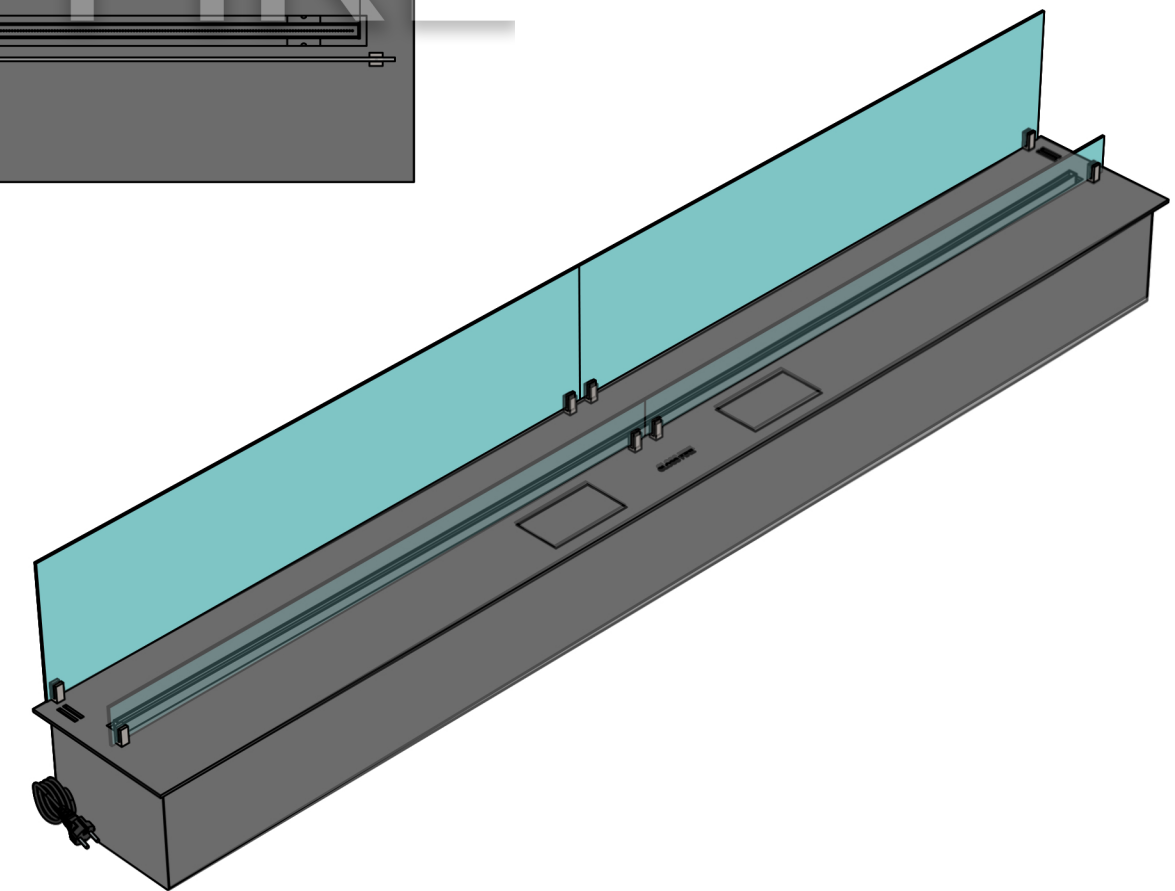
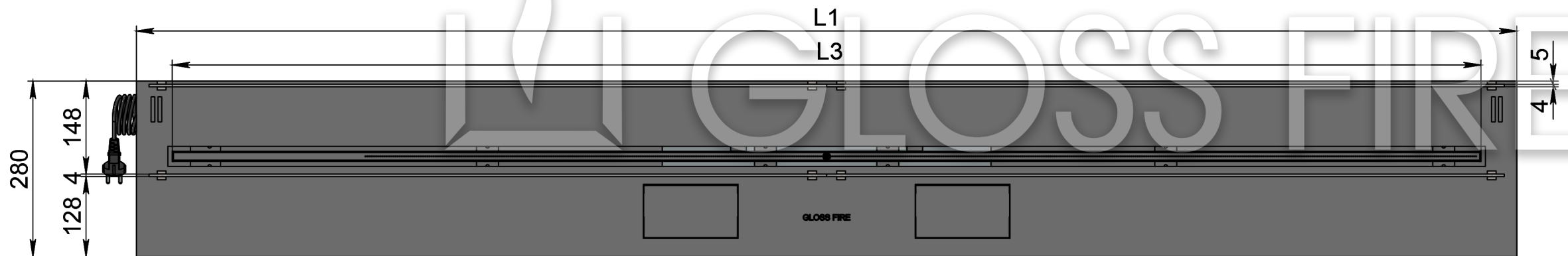
Front view



Side view



Top view



Automatic bio fireplace model Dalex C2

Size	Automatic bio fireplace model Dalex C2									
	D2100	D2200	D2300	D2400	D2500	D2600	D2700	D2800	D2900	D3000
L1, mm	2100	2200	2300	2400	2500	2600	2700	2800	2900	3000
L2, mm	2065	2165	2265	2365	2465	2565	2665	2765	2865	2965
L3, mm	2000	2100	2200	2300	2400	2500	2600	2700	2800	2900
L4, mm	1030	1080	1130	1180	1230	1280	1330	1380	1430	1480