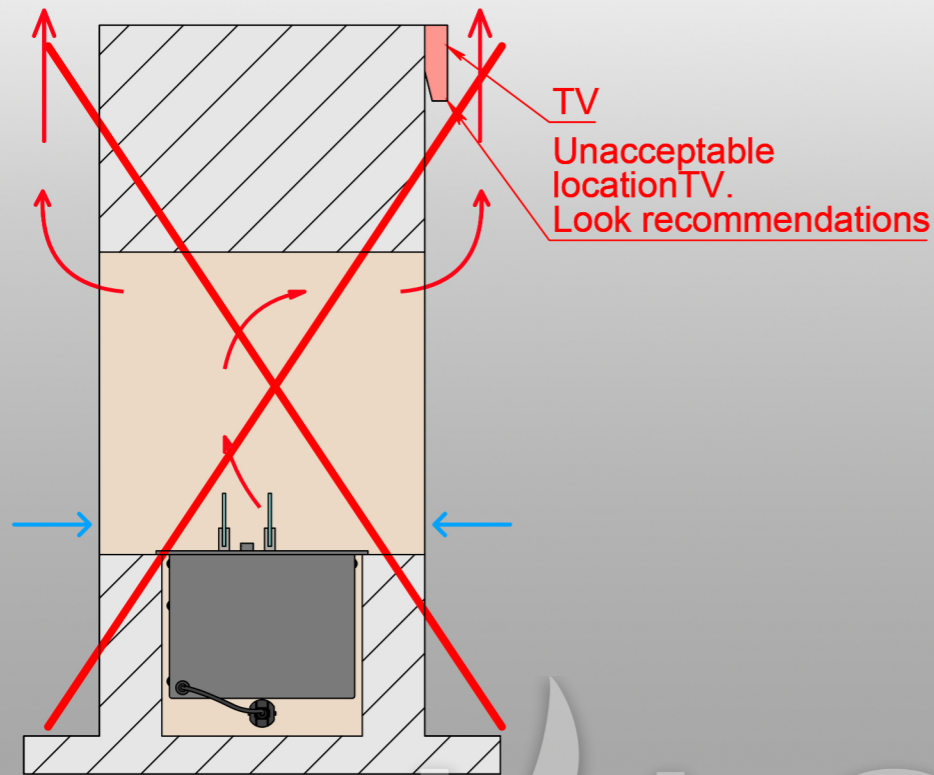
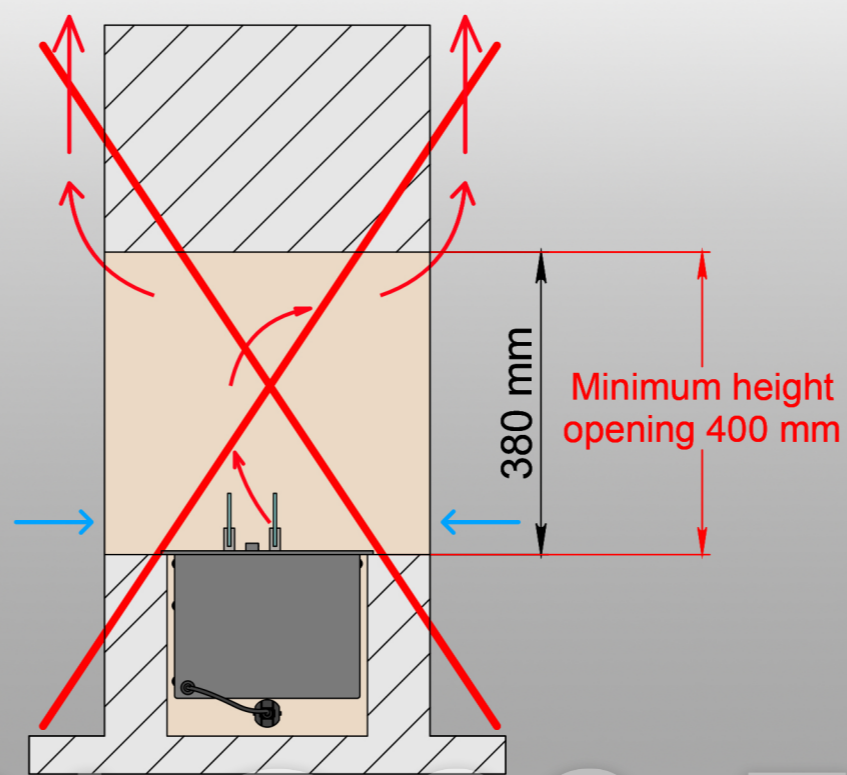


PROHIBITED DIAGRAMS FOR INSTALLING AN AUTOMATIC BIO-FIREPLACE DALEX C2-70

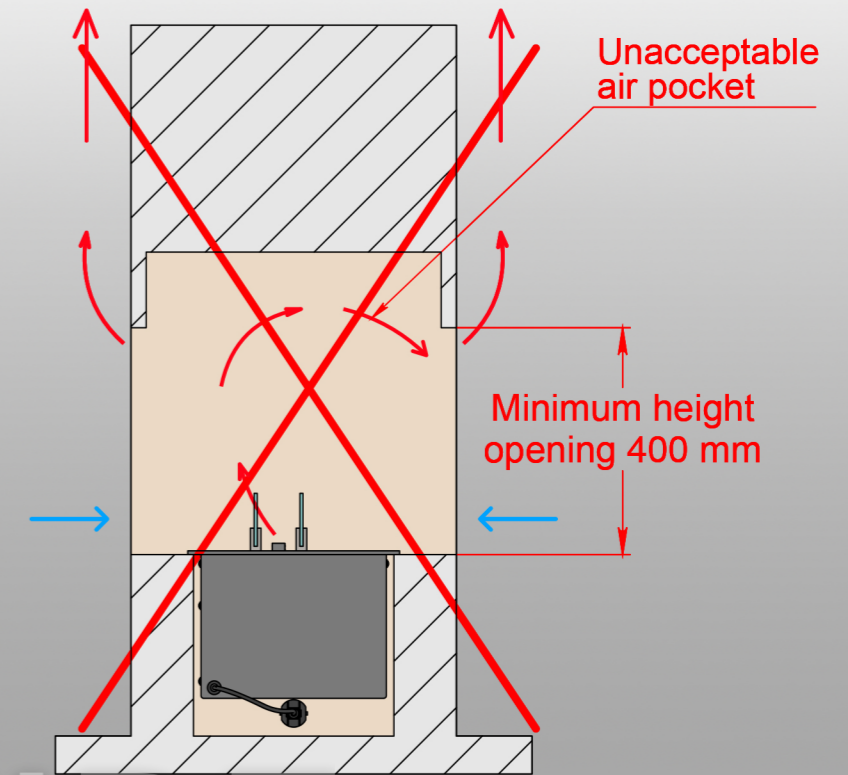
VARIANT №1



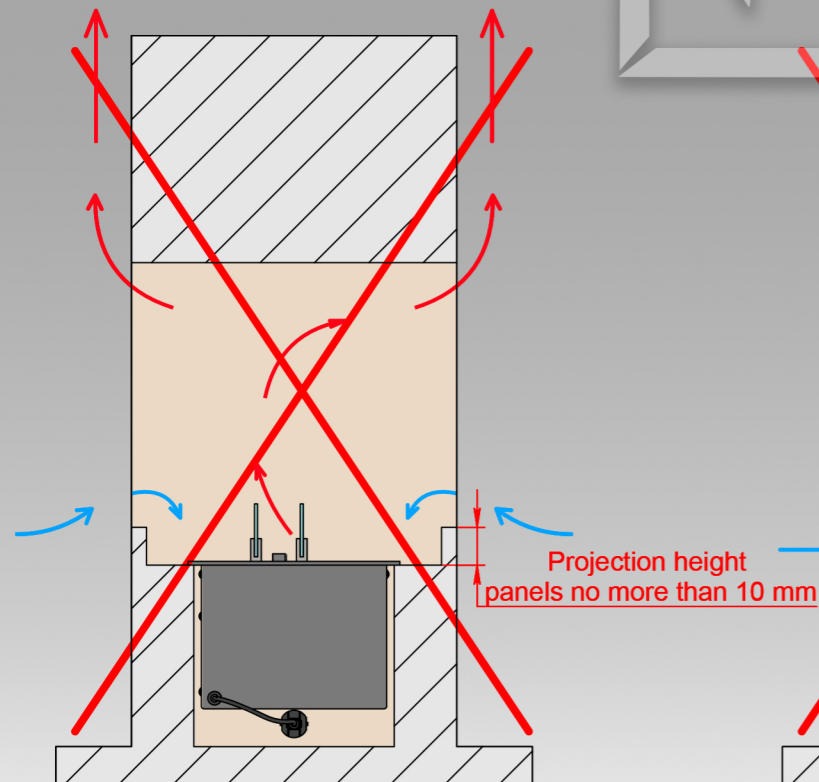
VARIANT №2



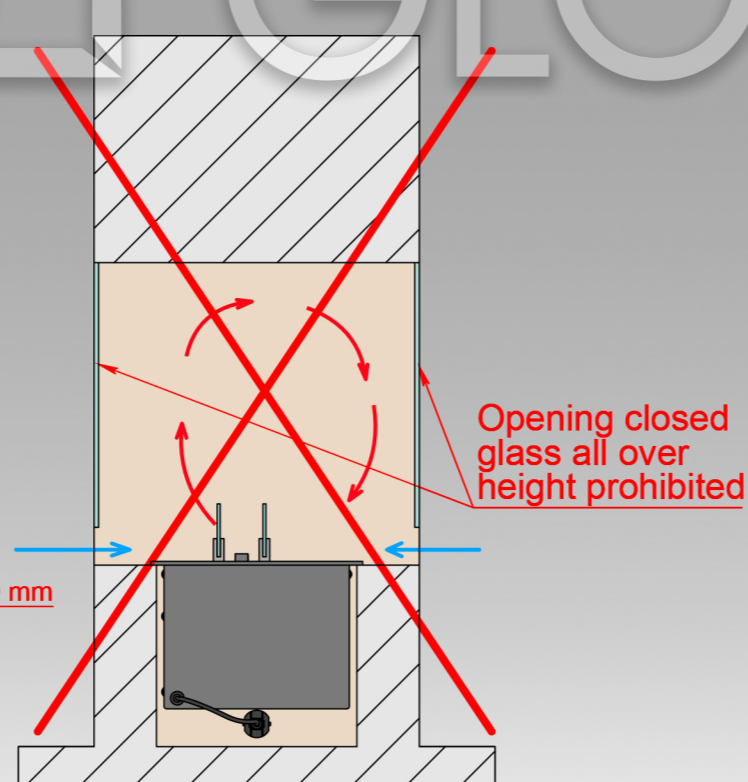
VARIANT №3



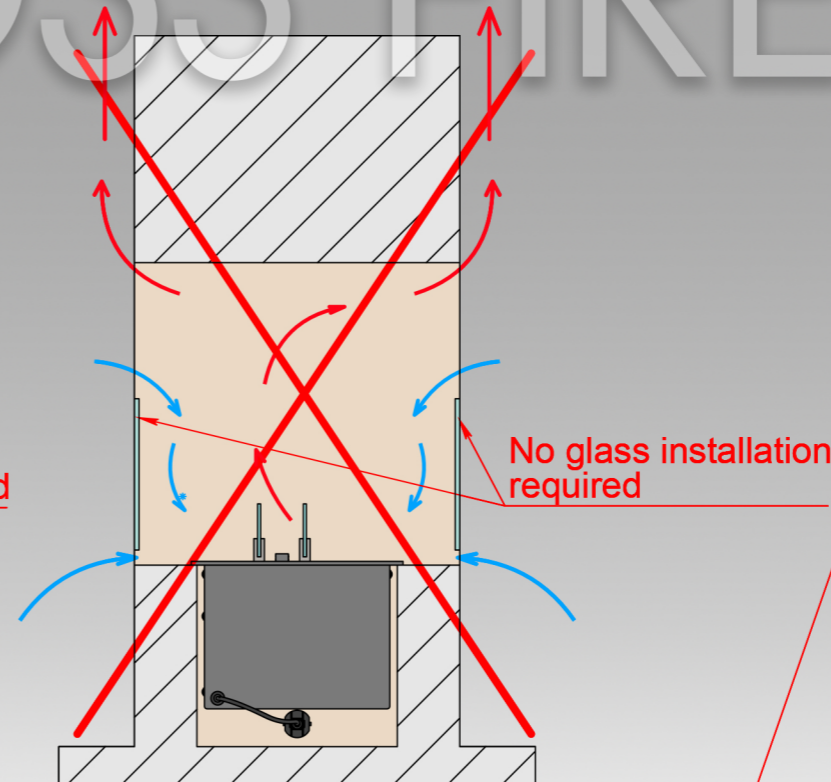
VARIANT №4



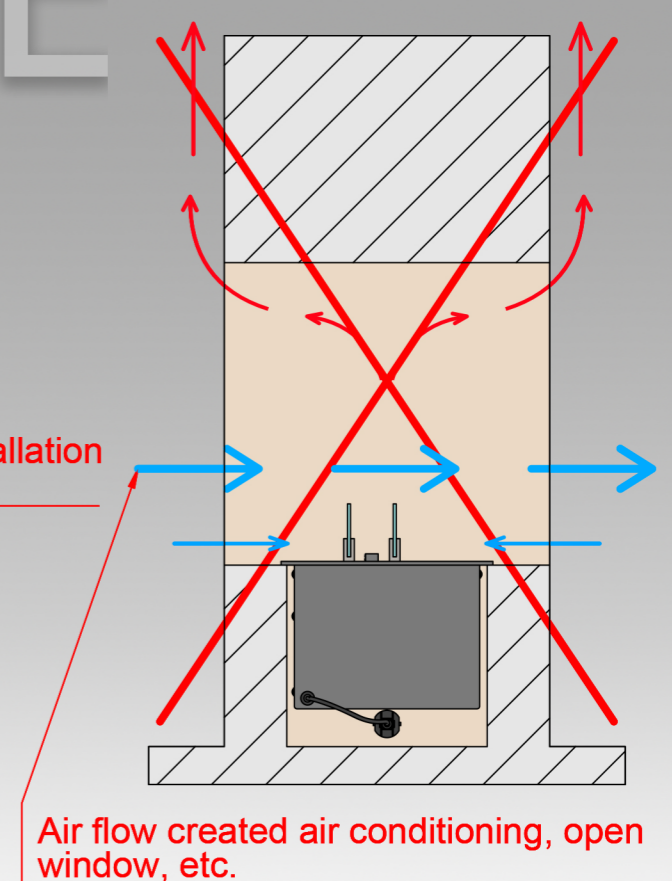
VARIANT №5



VARIANT №6



VARIANT №7



— - cold air
— - hot air

Important! The use of flammable, melting or deformable materials when finishing a niche is unacceptable. For mounting a niche use stone, brick, concrete, foam block, heat-resistant drywall followed by plaster. Finishing materials on the front part the walls outside the niche must withstand heating up to 80° C. Installing glass on a biofireplace is mandatory. Electrical connection - Euro socket Min. 3x1.5 mm², 230 V, 50 Hz, PE⊕