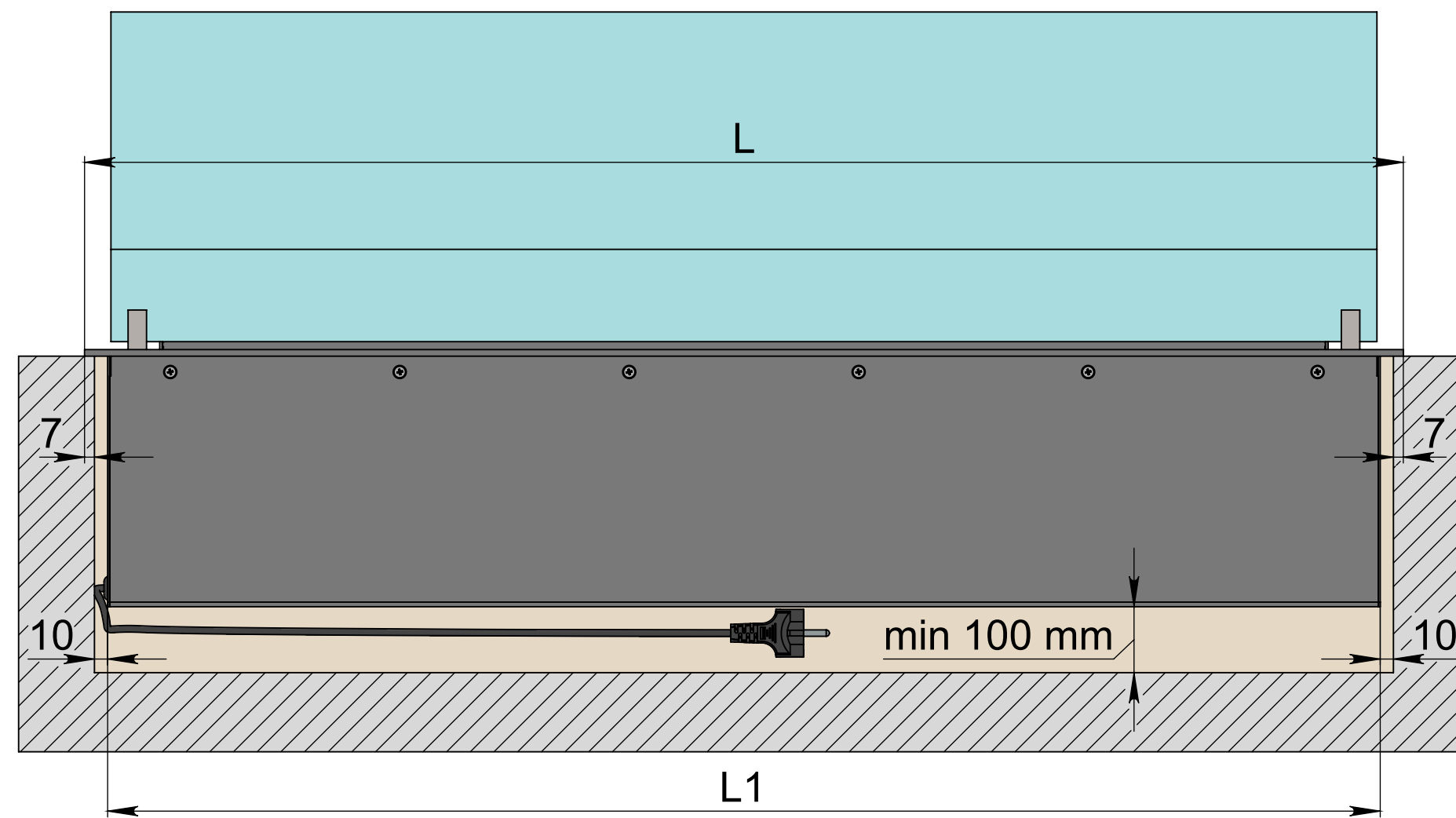
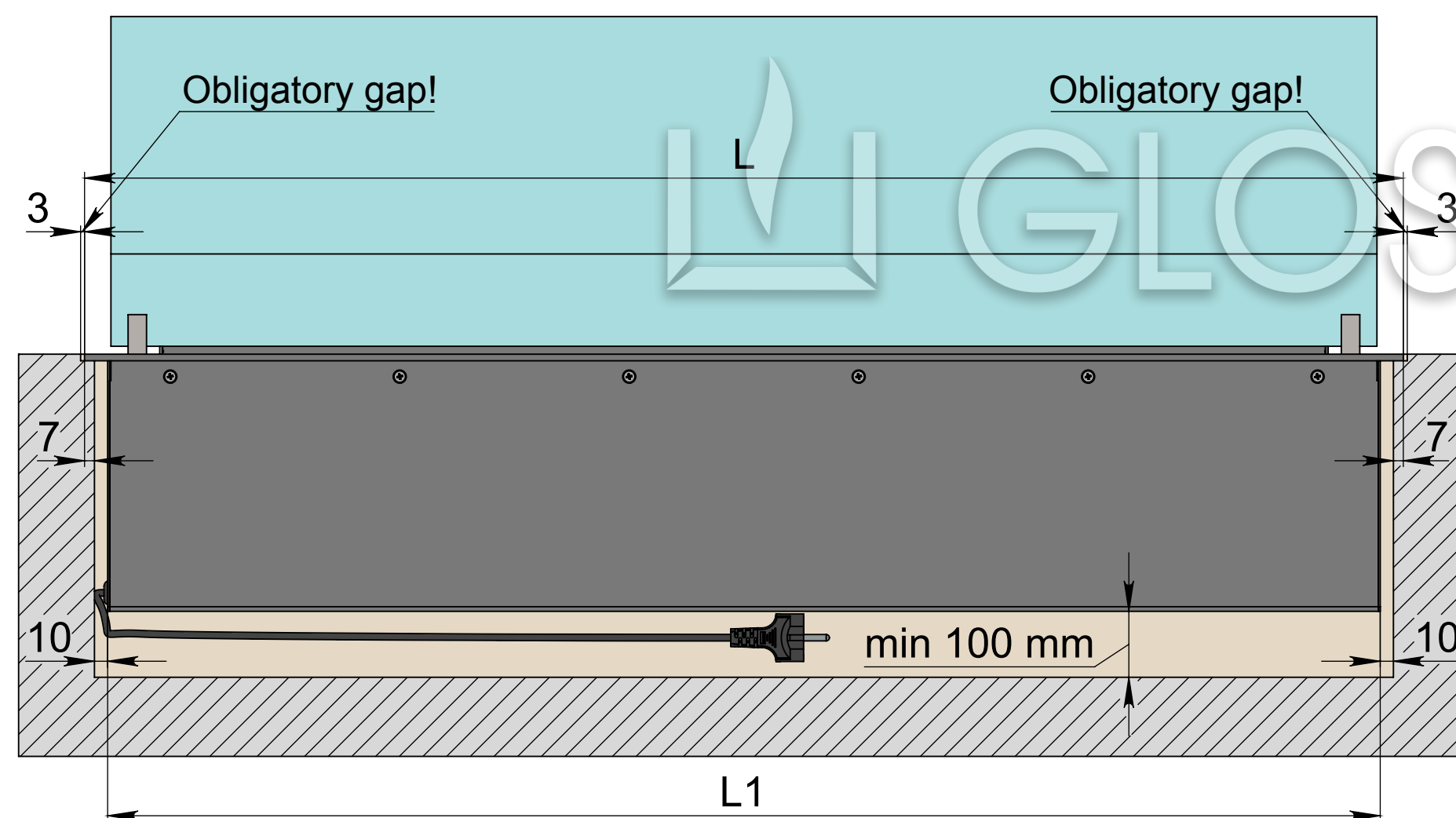


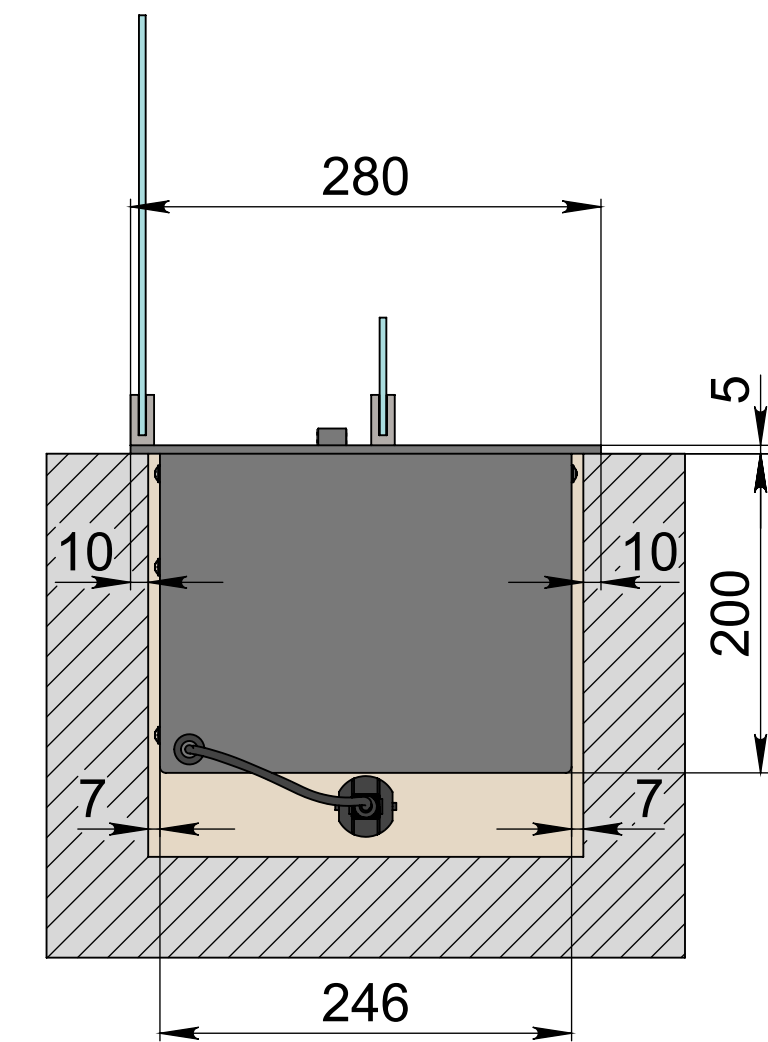
Overlapping installation



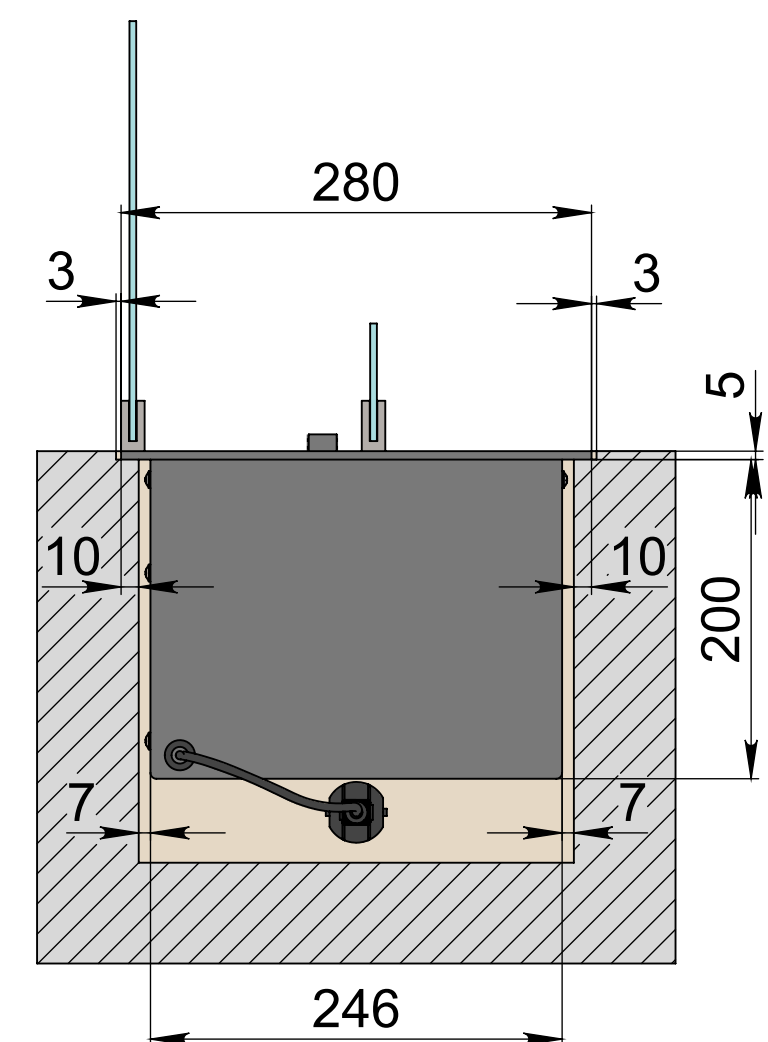
Flush mounting installation



Overlapping installation



Flush mounting installation



- Observe the dimensions shown in the drawing.
- Make sure that the surface on which the biofireplace is based is horizontal and symmetrical.
- Electrical connection - Euro socket Min. 3x1,5 mm<sup>2</sup>, 230 V, 50 Hz, PE ⊕

**Attention!** The use of flammable, melting or deformable materials when finishing a niche is unacceptable. To install a niche, use stone, brick, concrete, foam block, heat-resistant drywall followed by plaster. A niche for a fireplace can be made in a hollow wall, provided that there will be an additional partition underneath it, which will protect the line of fire from unwanted air flows.

Size	Automatic bio fireplace model Dalex C2																									
	D500	D600	D700	D800	D900	D1000	D1100	D1200	D1300	D1400	D1500	D1600	D1700	D1800	D1900	D2000	D2100	D2200	D2300	D2400	D2500	D2600	D2700	D2800	D2900	D3000
L, mm	500	600	700	800	900	1000	1100	1200	1300	1400	1500	1600	1700	1800	1900	2000	2100	2200	2300	2400	2500	2600	2700	2800	2900	3000
L 1, mm	466	566	666	766	866	966	1066	1166	1266	1366	1466	1566	1666	1766	1866	1966	2066	2166	2266	2366	2466	2566	2666	2766	2866	2966