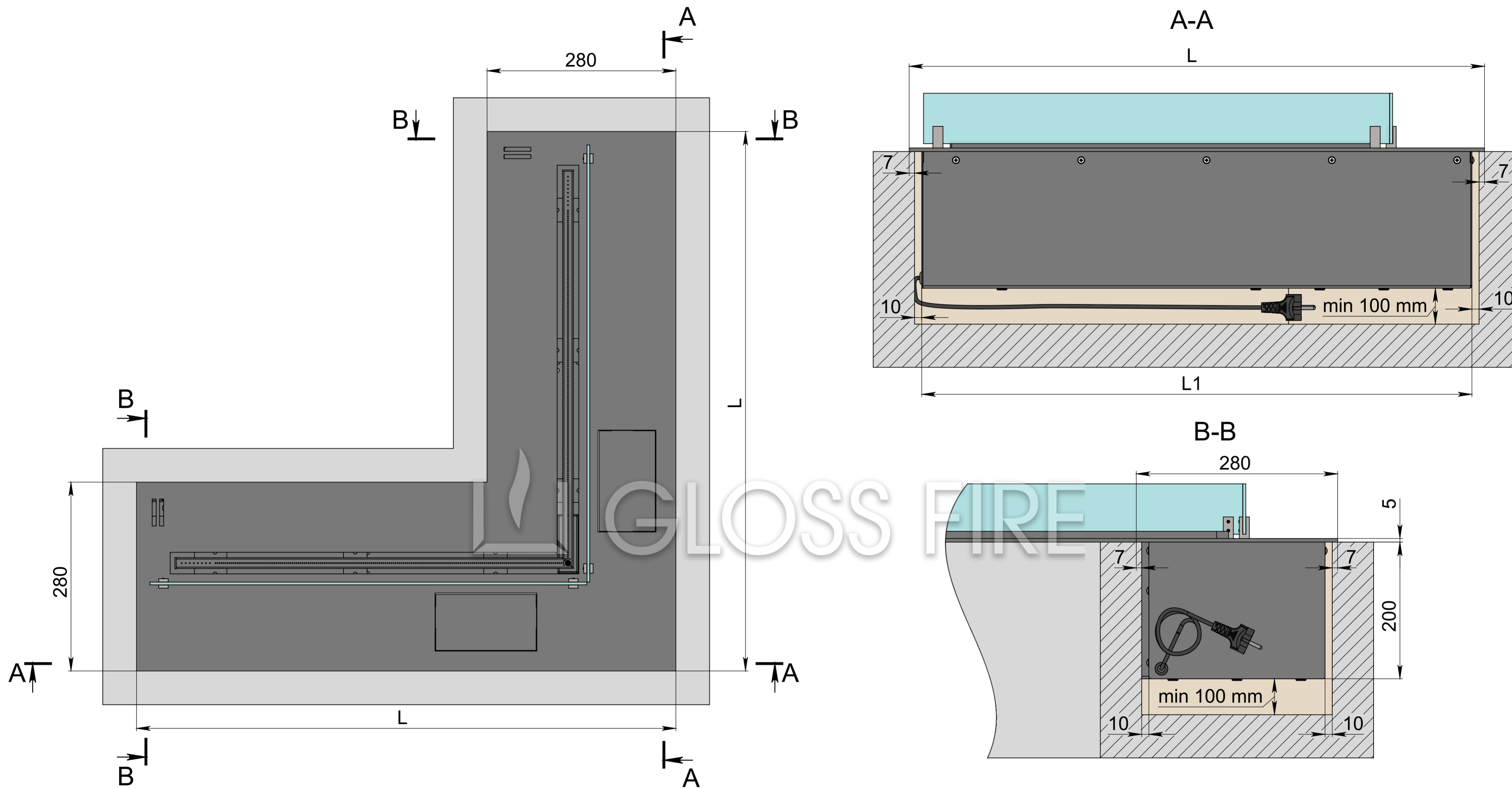


Overlapping installation

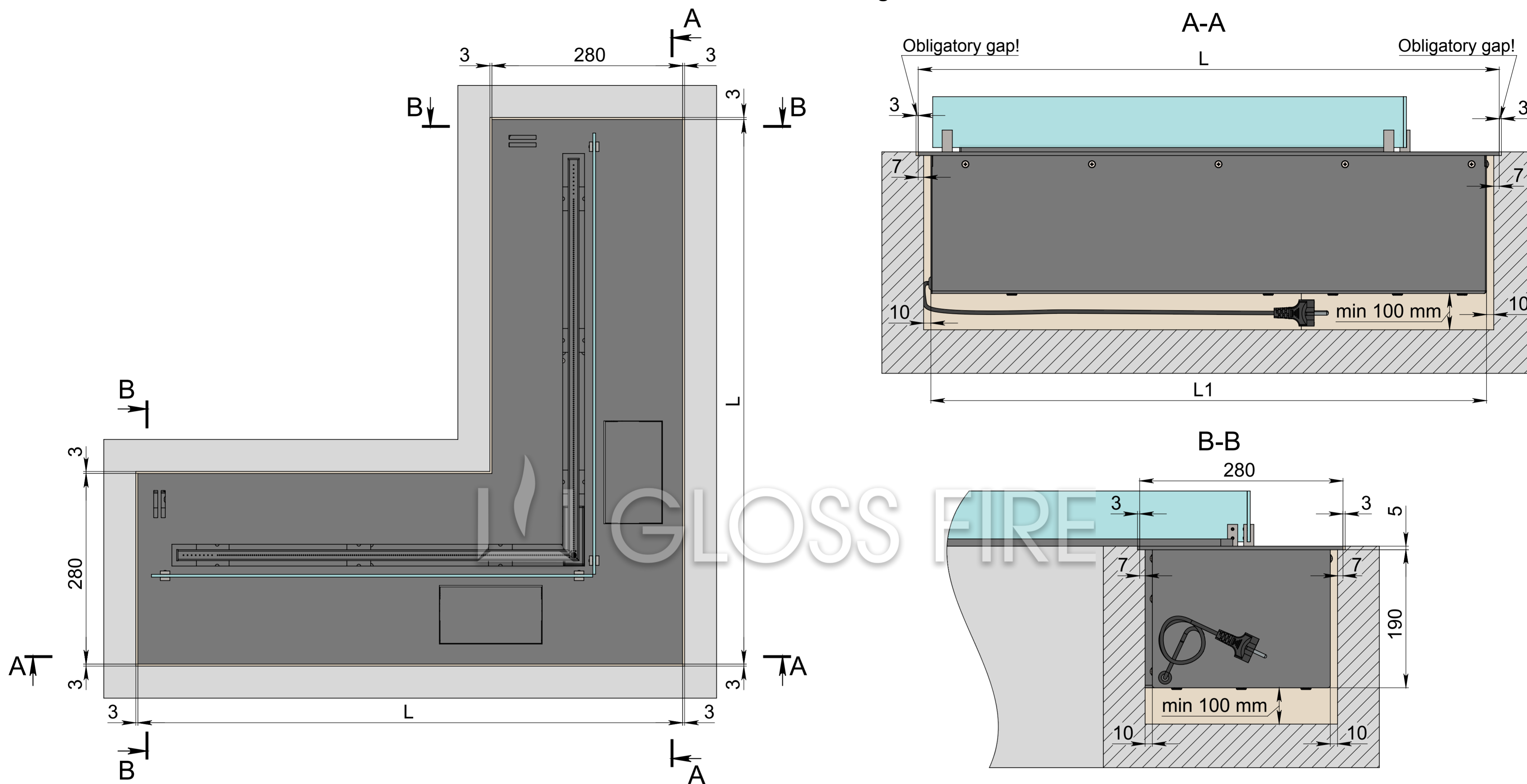


- Observe the dimensions shown in the drawing.
- Make sure that the surface on which the biofireplace is based is horizontal and symmetrical.
- Electrical connection - Euro socket Min. 3x1,5 mm², 230 V, 50 Hz, PE⊕

Attention! The use of flammable, melting or deformable materials when finishing a niche is unacceptable. To install a niche, use stone, brick, concrete, foam block, heat-resistant drywall followed by plaster. A niche for a fireplace can be made in a hollow wall, provided that there will be an additional partition underneath it, which will protect the line of fire from unwanted air flows.

| Size | Automatic bio fireplace model Dalex corner-art.01 | | | | | | |
|---------|---|------|------|------|-------|-------|-------|
| | D600 | D700 | D800 | D900 | D1000 | D1100 | D1200 |
| L, mm | 600 | 700 | 800 | 900 | 1000 | 1100 | 1200 |
| L 1, mm | 566 | 666 | 766 | 866 | 966 | 1066 | 1166 |

Flush mounting installation



- Observe the dimensions shown in the drawing.
- Make sure that the surface on which the biofireplace is based is horizontal and symmetrical.
- Electrical connection - Euro socket Min. 3x1,5 mm², 230 V, 50 Hz, PE⊕

Attention! The use of flammable, melting or deformable materials when finishing a niche is unacceptable. To install a niche, use stone, brick, concrete, foam block, heat-resistant drywall followed by plaster. A niche for a fireplace can be made in a hollow wall, provided that there will be an additional partition underneath it, which will protect the line of fire from unwanted air flows.

| Size | Automatic bio fireplace model Dalex corner-art.01 | | | | | | |
|---------|---|------|------|------|-------|-------|-------|
| | D600 | D700 | D800 | D900 | D1000 | D1100 | D1200 |
| L, mm | 600 | 700 | 800 | 900 | 1000 | 1100 | 1200 |
| L 1, mm | 566 | 666 | 766 | 866 | 966 | 1066 | 1166 |