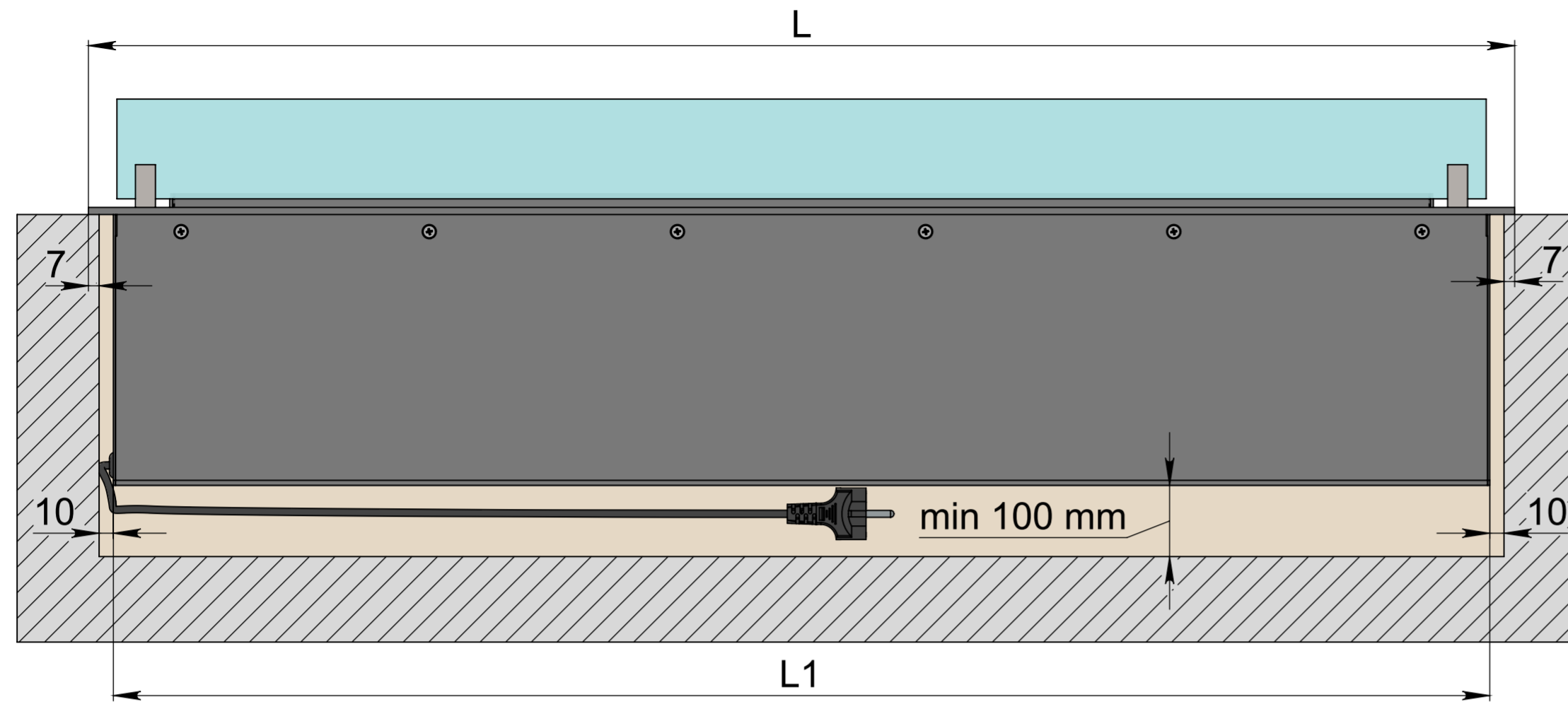
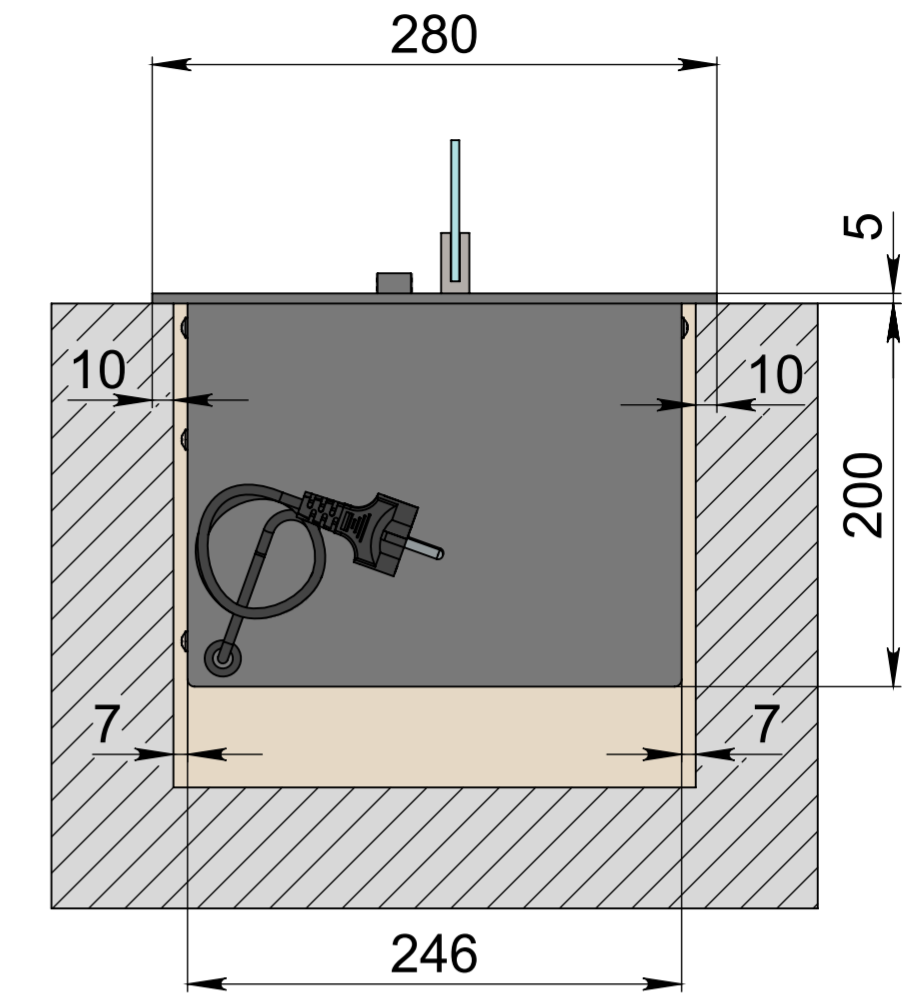


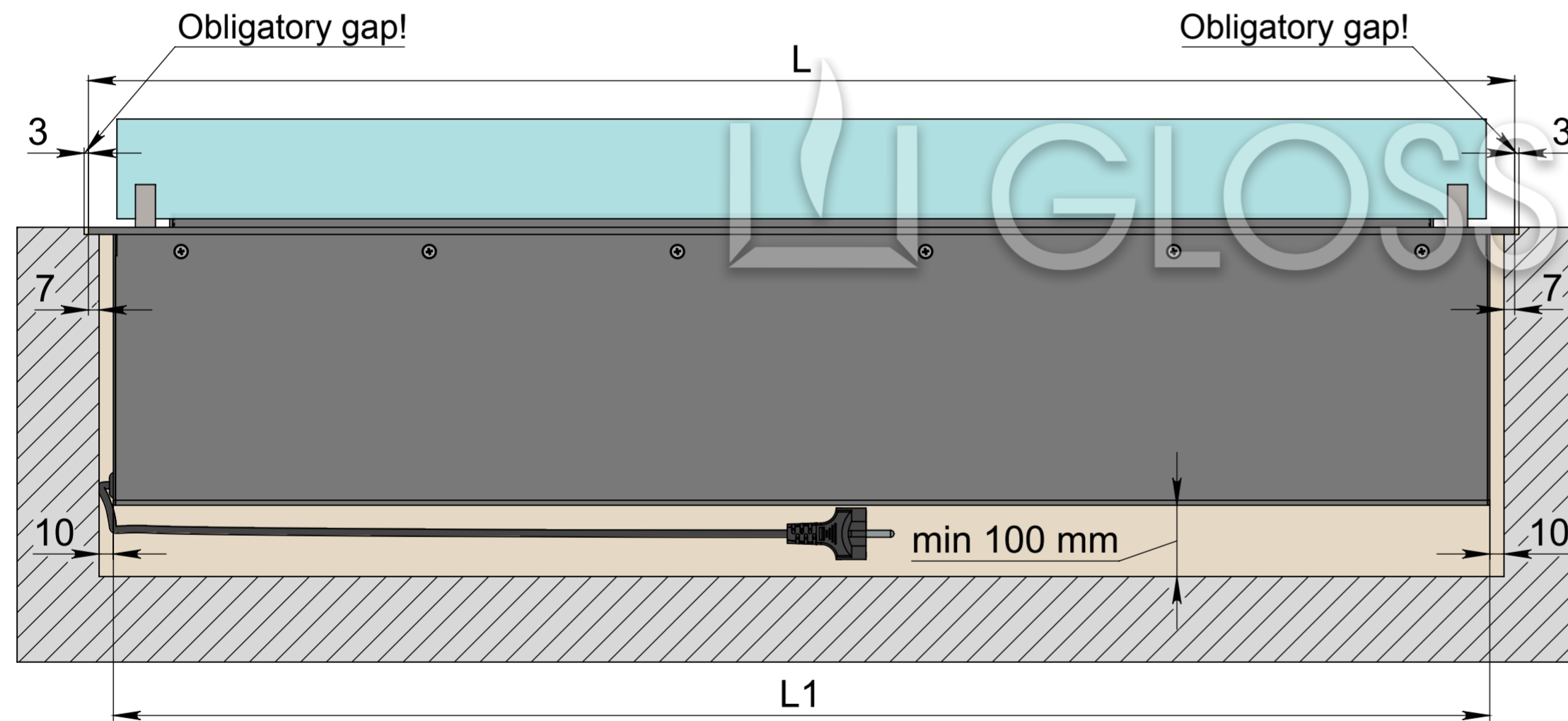
Overlapping installation



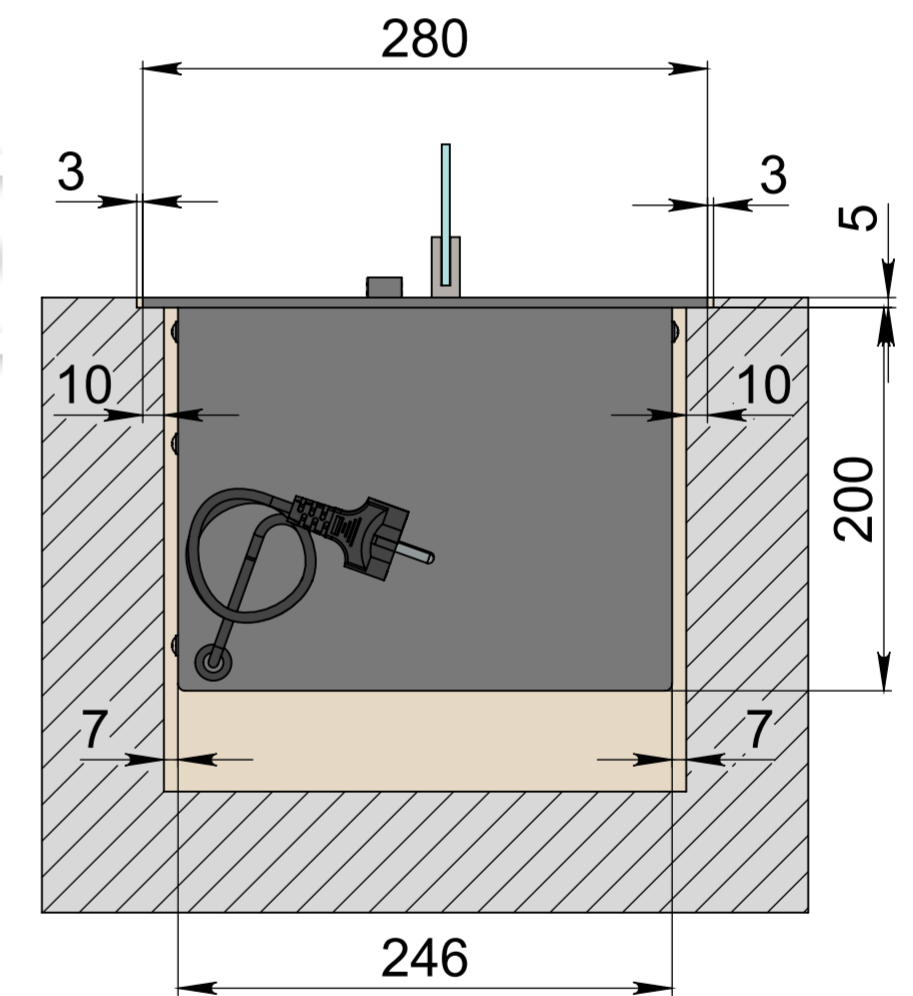
Overlapping installation



Flush mounting installation



Flush mounting installation



- Observe the dimensions shown in the drawing.
- Make sure that the surface on which the biofireplace is based is horizontal and symmetrical.
- Electrical connection - Euro socket Min. 3x1,5 mm<sup>2</sup>, 230 V, 50 Hz, PE ⊕

**Attention!** The use of flammable, melting or deformable materials when finishing a niche is unacceptable. To install a niche, use stone, brick, concrete, foam block, heat-resistant drywall followed by plaster. A niche for a fireplace can be made in a hollow wall, provided that there will be an additional partition underneath it, which will protect the line of fire from unwanted air flows.

Size	Automatic bio fireplace model Dalex steel																				
	D500	D600	D700	D800	D900	D1000	D1100	D1200	D1300	D1400	D1500	D1600	D1700	D1800	D1900	D2000	D2100	D2200	D2300	D2400	D2500
L, mm	500	600	700	800	900	1000	1100	1200	1300	1400	1500	1600	1700	1800	1900	2000	2100	2200	2300	2400	2500
L 1, mm	466	566	666	766	866	966	1066	1166	1266	1366	1466	1566	1666	1766	1866	1966	2066	2166	2266	2366	2466