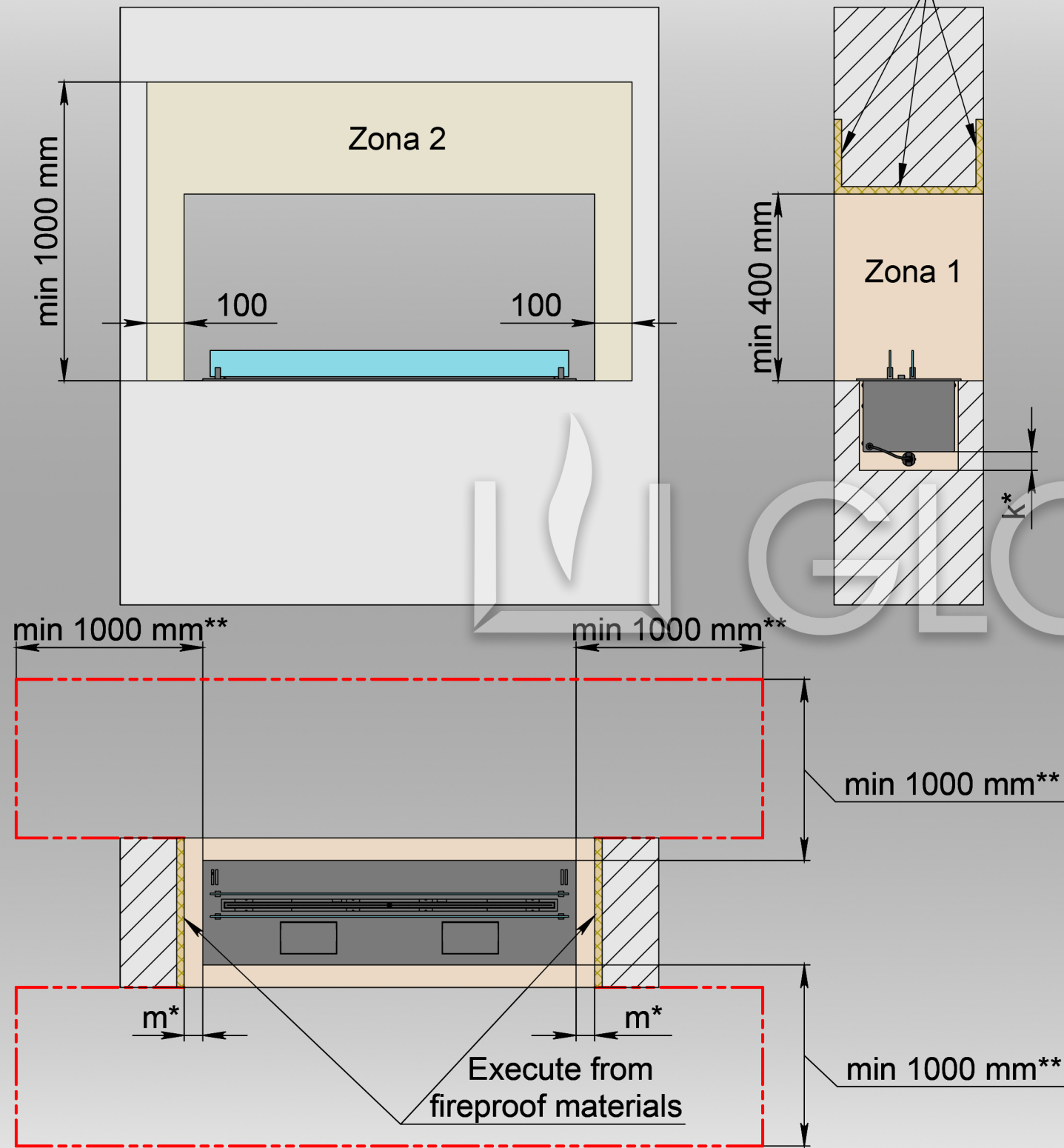


INSTALLING AUTOMATIC BIO-FIREPLACE DALEX C2-70

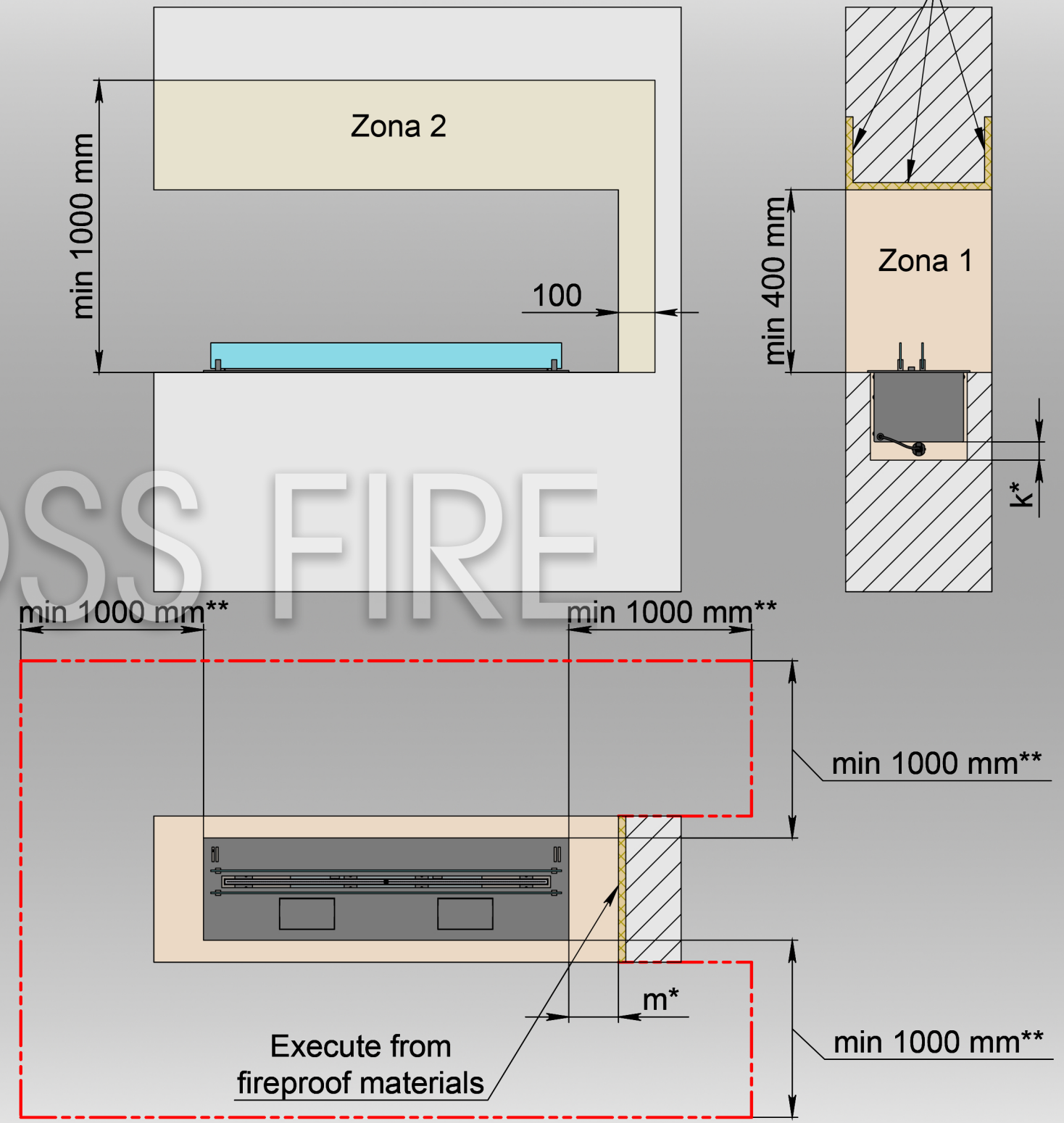
VARIANT 1

Execute from
fireproof materials



VARIANT 2

Execute from
fireproof materials



m^* , n^* - not less than 50 mm. k^* - not less than 100 mm. $**$ Minimum distance from the edge of the bio-fireplace to the nearest flammable object.
Important! Zone 1 must be made of fireproof materials. Zone 2 must withstand temperatures up to 80°C .
 Installing glass on a biofireplace is mandatory. Electrical connection - Euro socket Min. $3 \times 1,5 \text{ mm}^2$, 230 V, 50 Hz, PE ⊕